

Introduction

The Zynq™-7000 All Programmable SoCs are available in -3, -2, and -1 speed grades, with -3 having the highest performance. Zynq-7000 device DC and AC characteristics are specified in commercial, extended, and industrial temperature ranges. Except the operating temperature range or unless otherwise noted, all the DC and AC electrical parameters are the same for a particular speed grade (that is, the timing characteristics of a -1 speed grade industrial device are the same as for a -1 speed grade commercial device). However, only selected speed grades and/or devices are available in the commercial, extended, or industrial temperature range.

All supply voltage and junction temperature specifications are representative of worst-case conditions. The parameters included are common to popular designs and typical applications.

This Zynq-7000 AP SoC (XC7Z010 and XC7Z020) data sheet, part of an overall set of documentation on the Zynq-7000 AP SoCs, is available on the Xilinx website at www.xilinx.com/zynq. All specifications are subject to change without notice.

DC Characteristics

Table 1: Absolute Maximum Ratings⁽¹⁾

Symbol	Description	Min	Max	Units
Processing System (PS)				
V _{CCPINT}	PS internal logic supply	-0.5	1.1	V
V _{CCPAUX}	PS auxiliary supply voltage	-0.5	2.0	V
V _{CCPLL}	PS PLL supply	-0.5	2.0	V
V _{CCO_DDR}	PS DDR I/O supply voltage	-0.5	2.0	V
V _{CCO_MIO} ⁽²⁾	PS MIO I/O supply voltage	-0.5	3.6	V
V _{PREF}	PS input reference voltage	-0.5	2.0	V
V _{PIN} ⁽²⁾⁽³⁾⁽⁴⁾⁽⁵⁾⁽⁶⁾	PS DDR and MIO I/O input voltage	-0.5	V _{CCO_DDR} + 0.5 V _{CCO_MIO} + 0.5	V
	PS DDR and MIO I/O input voltage for V _{REF} and differential I/O standards	-0.5	2.625	V
Programmable Logic (PL)				
V _{CCINT}	PL internal supply voltage	-0.5	1.1	V
V _{CCAUX}	PL auxiliary supply voltage	-0.5	2.0	V
V _{CCBRAM}	PL supply voltage for the block RAM memories	-0.5	1.1	V
V _{CCO}	PL supply voltage for 3.3V HR I/O banks	-0.5	3.6	V
V _{REF}	Input reference voltage	-0.5	2.0	V
V _{IN} ⁽³⁾⁽⁴⁾⁽⁵⁾⁽⁶⁾	I/O input voltage	-0.5	V _{CCO} + 0.5	V
	I/O input voltage for V _{REF} and differential I/O standards	-0.5	2.625	V
V _{CCBATT}	Key memory battery backup supply	-0.5	2.0	V

Table 1: Absolute Maximum Ratings⁽¹⁾ (Cont'd)

Symbol	Description	Min	Max	Units
XADC				
V _{CCADC}	XADC supply relative to GNDADC	-0.5	2.0	V
V _{REFP}	XADC reference input relative to GNDADC	-0.5	2.0	V
Temperature				
T _{STG}	Storage temperature (ambient)	-65	150	°C
T _{SOL}	Maximum soldering temperature for Pb/Sn component bodies ⁽⁷⁾	-	+220	°C
	Maximum soldering temperature for Pb-free component bodies ⁽⁷⁾	-	+260	°C
T _j	Maximum junction temperature ⁽⁷⁾	-	+125	°C

Notes:

- Stresses beyond those listed under Absolute Maximum Ratings might cause permanent damage to the device. These are stress ratings only, and functional operation of the device at these or any other conditions beyond those listed under Operating Conditions is not implied. Exposure to Absolute Maximum Ratings conditions for extended periods of time might affect device reliability.
- Applies to both MIO supply banks V_{CCO_MIO0} and V_{CCO_MIO1}.
- The lower absolute voltage specification always applies.
- For I/O operation, refer to [UG471](#), *7 Series FPGAs SelectIO Resources User Guide* or [UG585](#), *Zynq-7000 All Programmable SoC Technical Reference Manual*.
- The maximum limit applies to DC signals.
- For maximum undershoot and overshoot AC specifications, see [Table 4](#).
- For soldering guidelines and thermal considerations, see [UG865](#), *Zynq-7000 All Programmable SoC Packaging and Pinout Specification*.

Table 2: Recommended Operating Conditions⁽¹⁾⁽²⁾

Symbol	Description	Min	Typ	Max	Units
PS					
V _{CCPINT}	PS internal supply voltage	0.95	1.00	1.05	V
V _{CCPAUX}	PS auxiliary supply voltage	1.71	1.80	1.89	V
V _{CCPLL}	PS PLL supply	1.71	1.80	1.89	V
V _{CCO_DDR}	PS DDR I/O supply voltage	1.14		1.89	V
V _{CCO_MIO} ⁽³⁾	PS MIO I/O supply voltage for MIO banks	1.71	-	3.465	V
V _{PIN} ⁽³⁾⁽⁴⁾	PS DDR and MIO I/O input voltage	-0.20	-	V _{CCO_DDR} + 0.20 V _{CCO_MIO} + 0.20	V
	PS DDR and MIO I/O input voltage for V _{REF} and differential I/O standards	-0.20	-	2.625	V
PL					
V _{CCINT}	PL internal supply voltage	0.95	1.00	1.05	V
V _{CCAUX}	PL auxiliary supply voltage	1.71	1.80	1.89	V
V _{CCBRAM}	PL block RAM supply voltage	0.95	1.00	1.05	V
V _{CCO} ⁽⁵⁾⁽⁶⁾	PL supply voltage for 3.3V HR I/O banks	1.14	-	3.465	V
V _{IN} ⁽⁴⁾	I/O input voltage	-0.20	-	V _{CCO} + 0.20	V
	I/O input voltage for V _{REF} and differential I/O standards	-0.20	-	2.625	V
I _{IN} ⁽⁷⁾	Maximum current through any pin in a powered or unpowered bank when forward biasing the clamp diode—PS or PL pins	-	-	10	mA
V _{CCBATT} ⁽⁸⁾	Battery voltage	1.0	-	1.89	V
XADC					
V _{CCADC}	XADC supply relative to GNDADC	1.71	1.80	1.89	V
V _{REFP}	Externally supplied reference voltage	1.20	1.25	1.30	V

Table 2: Recommended Operating Conditions⁽¹⁾⁽²⁾ (Cont'd)

Symbol	Description	Min	Typ	Max	Units
Temperature					
T_j	Junction temperature operating range for commercial (C) temperature devices	0	–	85	°C
	Junction temperature operating range for extended (E) temperature devices	0	–	100	°C
	Junction temperature operating range for industrial (I) temperature devices	–40	–	100	°C

Notes:

- All voltages are relative to ground. The PL and PS share a common ground.
- For the design of the power distribution system consult [UG933](#), *Zynq-7000 All Programmable SoC PCB Design and Pin Planning Guide*.
- Applies to both MIO supply banks V_{CCO_MIO0} and V_{CCO_MIO1} .
- The lower absolute voltage specification always applies.
- Configuration data is retained even if V_{CCO} drops to 0V.
- Includes V_{CCO} of 1.2V, 1.5V, 1.8V, 2.5V, and 3.3V.
- A total of 200 mA per PS or PL bank should not be exceeded.
- V_{CCBATT} is required only when using bitstream encryption. If battery is not used, connect V_{CCBATT} to either ground or V_{CCAUX} .

Table 3: DC Characteristics Over Recommended Operating Conditions

Symbol	Description	Min	Typ ⁽¹⁾	Max	Units
V_{DRINT}	Data retention V_{CCINT} voltage (below which configuration data might be lost)	0.75	–	–	V
V_{DRI}	Data retention V_{CCAUX} voltage (below which configuration data might be lost)	1.5	–	–	V
I_{REF}	V_{REF} leakage current per pin	–	–	15	μA
I_L	Input or output leakage current per pin (sample-tested)	–	–	15	μA
$C_{IN}^{(2)}$	PL die input capacitance at the pad	–	–	8	pF
$C_{PIN}^{(2)}$	PS die input capacitance at the pad	–	–	8	pF
I_{RPU}	Pad pull-up (when selected) @ $V_{IN} = 0V$, $V_{CCO} = 3.3V$	90	–	330	μA
	Pad pull-up (when selected) @ $V_{IN} = 0V$, $V_{CCO} = 2.5V$	68	–	250	μA
	Pad pull-up (when selected) @ $V_{IN} = 0V$, $V_{CCO} = 1.8V$	34	–	220	μA
	Pad pull-up (when selected) @ $V_{IN} = 0V$, $V_{CCO} = 1.5V$	23	–	150	μA
	Pad pull-up (when selected) @ $V_{IN} = 0V$, $V_{CCO} = 1.2V$	12	–	120	μA
I_{RPD}	Pad pull-down (when selected) @ $V_{IN} = 3.3V$	68	–	330	μA
	Pad pull-down (when selected) @ $V_{IN} = 1.8V$	45	–	180	μA
I_{CCADC}	Analog supply current, analog circuits in powered up state	–	–	25	mA
$I_{BATT}^{(3)}$	Battery supply current	–	–	150	nA
$R_{IN_TERM}^{(4)}$	Thevenin equivalent resistance of programmable input termination to $V_{CCO}/2$ (UNTUNED_SPLIT_40) for commercial (C), industrial (I), and extended (E) temperature devices.	28	40	55	Ω
	Thevenin equivalent resistance of programmable input termination to $V_{CCO}/2$ (UNTUNED_SPLIT_50) for commercial (C), industrial (I), and extended (E) temperature devices.	35	50	65	Ω
	Thevenin equivalent resistance of programmable input termination to $V_{CCO}/2$ (UNTUNED_SPLIT_60) for commercial (C), industrial (I), and extended (E) temperature devices.	44	60	83	Ω

Table 3: DC Characteristics Over Recommended Operating Conditions (Cont'd)

Symbol	Description	Min	Typ ⁽¹⁾	Max	Units
n	Temperature diode ideality factor	–	1.010	–	–
r	Temperature diode series resistance	–	2	–	Ω

Notes:

1. Typical values are specified at nominal voltage, 25°C.
2. This measurement represents the die capacitance at the pad, not including the package.
3. Maximum value specified for worst case process at 25°C.
4. Termination resistance to a $V_{CCO}/2$ level.

Table 4: V_{IN} Maximum Allowed AC Voltage Overshoot and Undershoot for PS I/O and 3.3V HR I/O Banks⁽¹⁾

AC Voltage Overshoot	% of UI @–40°C to 100°C	AC Voltage Undershoot	% of UI @–40°C to 100°C
$V_{CCO} + 0.40$	100	–0.40	100
$V_{CCO} + 0.45$	100	–0.45	61.7
$V_{CCO} + 0.50$	100	–0.50	25.8
$V_{CCO} + 0.55$	100	–0.55	11.0
$V_{CCO} + 0.60$	46.6	–0.60	4.77
$V_{CCO} + 0.65$	21.2	–0.65	2.10
$V_{CCO} + 0.70$	9.75	–0.70	0.94
$V_{CCO} + 0.75$	4.55	–0.75	0.43
$V_{CCO} + 0.80$	2.15	–0.80	0.20
$V_{CCO} + 0.85$	1.02	–0.85	0.09
$V_{CCO} + 0.90$	0.49	–0.90	0.04
$V_{CCO} + 0.95$	0.24	–0.95	0.02

Notes:

1. A total of 200 mA per bank should not be exceeded.

Table 5: Typical Quiescent Supply Current

Symbol	Description	Device	Speed Grade			Units
			-3	-2	-1	
I _{CCPINTQ}	PS quiescent V _{CCPINT} supply current	XC7Z010	122	122	122	mA
		XC7Z020	122	122	122	mA
I _{CCPAUXQ}	PS quiescent V _{CCPAUX} supply current	XC7Z010	13	13	13	mA
		XC7Z020	13	13	13	mA
I _{CCDDRQ}	PS quiescent V _{CCO_DDR} supply current	XC7Z010	4	4	4	mA
		XC7Z020	4	4	4	mA
I _{CCINTQ}	PL quiescent V _{CCINT} supply current	XC7Z010	34	34	34	mA
		XC7Z020	78	78	78	mA
I _{CCAUXQ}	PL quiescent V _{CCAUX} supply current	XC7Z010	18	18	18	mA
		XC7Z020	38	38	38	mA
I _{CCOQ}	PL quiescent V _{CCO} supply current	XC7Z010	3	3	3	mA
		XC7Z020	3	3	3	mA
I _{CCBRAMQ}	PL quiescent V _{CCBRAM} supply current	XC7Z010	3	3	3	mA
		XC7Z020	6	6	6	mA

Notes:

1. Typical values are specified at nominal voltage, 85°C junction temperatures (T_j) with single-ended SelectIO resources.
2. Typical values are for blank configured devices with no output current loads, no active input pull-up resistors, all I/O pins are 3-state and floating.
3. Use the Xilinx Power Estimator (XPE) spreadsheet tool (download at <http://www.xilinx.com/power>) to calculate static power consumption for conditions other than those specified.

PS Power-On/Off Power Supply Requirements

The recommended power-on sequence is V_{CCPINT} , V_{CCPAUX} and V_{CCPLL} together, then the PS V_{CCO} supplies (V_{CCO_MIO0} , V_{CCO_MIO1} , and V_{CCO_DDR}) to achieve minimum current draw and ensure that the I/Os are 3-stated at power-on. The recommended power-off sequence is the reverse of the power-on sequence. If V_{CCPAUX} , V_{CCPLL} and the PS V_{CCO} supplies (V_{CCO_MIO0} , V_{CCO_MIO1} , and V_{CCO_DDR}) have the same recommended voltage levels, then they can be powered by the same supply and ramped simultaneously. Xilinx recommends powering V_{CCPLL} with the same supply as V_{CCPAUX} , with an optional ferrite bead filter.

For V_{CCO_MIO0} and V_{CCO_MIO1} voltages of 3.3V:

- The voltage difference between $V_{CCO_MIO0}/V_{CCO_MIO1}$ and V_{CCPAUX} must not exceed 2.625V for longer than $T_{VCCO2VCCAUX}$ for each power-on/off cycle to maintain device reliability levels.
- The $T_{VCCO2VCCAUX}$ time can be allocated in any percentage between the power-on and power-off ramps.

PS Power-on Reset

The PS provides the power on reset (PS_POR_B) input signal which must be held Low until all PS power supplies are stable and within operating limits. Additionally, PS_POR_B must be held Low until PS_CLK is stable for 2,000 clocks.

PL Power-On/Off Power Supply Sequencing

The recommended power-on sequence for the PL is V_{CCINT} , V_{CCBRAM} , V_{CCAUX} , and V_{CCO} to achieve minimum current draw and ensure that the I/Os are 3-stated at power-on. The recommended power-off sequence is the reverse of the power-on sequence. If V_{CCINT} and V_{CCBRAM} have the same recommended voltage levels then both can be powered by the same supply and ramped simultaneously. If V_{CCAUX} and V_{CCO} have the same recommended voltage levels then both can be powered by the same supply and ramped simultaneously.

For V_{CCO} voltages of 3.3V in HR I/O banks and configuration bank 0:

- The voltage difference between V_{CCO} and V_{CCAUX} must not exceed 2.625V for longer than $T_{VCCO2VCCAUX}$ for each power-on/off cycle to maintain device reliability levels.
- The $T_{VCCO2VCCAUX}$ time can be allocated in any percentage between the power-on and power-off ramps.

PS—PL Power Sequencing

The PS and PL power supplies are fully independent. There are no sequencing requirements between the PS (V_{CCPINT} , V_{CCPAUX} , V_{CCPLL} , V_{CCO_DDR} , V_{CCO_MIO0} , and V_{CCO_MIO1}) and PL (V_{CCINT} , V_{CCBRAM} , V_{CCAUX} , V_{CCO} , and V_{CCADC}) power supplies.

Power Supply Requirements

Table 6 shows the minimum current, in addition to I_{CCQ} , that is required by Zynq-7000 devices for proper power-on and configuration. If the current minimums shown in Table 5 and Table 6 are met, the device powers on after all four PL supplies have passed through their power-on reset threshold voltages. The Zynq-7000 device must not be configured until after V_{CCINT} is applied. Once initialized and configured, use the Xilinx Power Estimator (XPE) tools to estimate current drain on these supplies.

Table 6: Power-On Current for Zynq-7000 Devices⁽¹⁾

Device	$I_{CCPINTMIN}$	$I_{CCPAUXMIN}$	$I_{CCDDRMIN}$	$I_{CCINTMIN}$	$I_{CCAUXMIN}$	I_{CCOMIN}	$I_{CCBRAMMIN}$	Units
	Typ ⁽²⁾	Typ ⁽²⁾	Typ ⁽²⁾	Typ ⁽²⁾	Typ ⁽²⁾	Typ ⁽²⁾	Typ ⁽²⁾	
XC7Z010	$I_{CCPINTQ} +70$	$I_{CCPAUXQ} +40$	$I_{CCDDRQ} + 100$ mA per bank	$I_{CCINTQ} +40$	$I_{CCAUXQ} +60$	$I_{CCOQ} + 90$ mA per bank	$I_{CCBRAMQ} +40$	mA
XC7Z020	$I_{CCPINTQ} +70$	$I_{CCPAUXQ} +40$	$I_{CCDDRQ} + 100$ mA per bank	$I_{CCINTQ} +70$	$I_{CCAUXQ} +60$	$I_{CCOQ} + 90$ mA per bank	$I_{CCBRAMQ} +40$	mA

Notes:

1. Use the Xilinx Power Estimator (XPE) spreadsheet tool (download at <http://www.xilinx.com/power>) to calculate maximum power-on currents.
2. Typical values are specified at nominal voltage, 25°C.

Table 7: Power Supply Ramp Time

Symbol	Description	Conditions	Min	Max	Units
$T_{VCCPINT}$	Ramp time from GND to 90% of V_{CCPINT}		0.2	50	ms
$T_{VCCPAUX}$	Ramp time from GND to 90% of V_{CCPAUX}		0.2	50	ms
T_{VCCO_DDR}	Ramp time from GND to 90% of V_{CCO_DDR}		0.2	50	ms
T_{VCCO_MIO}	Ramp time from GND to 90% of V_{CCO_MIO}		0.2	50	ms
T_{VCCINT}	Ramp time from GND to 90% of V_{CCINT}		0.2	50	ms
T_{VCCO}	Ramp time from GND to 90% of V_{CCO}		0.2	50	ms
T_{VCCAUX}	Ramp time from GND to 90% of V_{CCAUX}		0.2	50	ms
$T_{VCCBRAM}$	Ramp time from GND to 90% of V_{CCBRAM}		0.2	50	ms
$T_{VCCO2VCCAUX}$	Allowed time per power cycle for $V_{CCO} - V_{CCAUX} > 2.625V$ and $V_{CCO_MIO} - V_{CCPAUX} > 2.625V$	$T_j = 100^\circ C^{(1)}$	–	500	ms
		$T_j = 85^\circ C^{(1)}$	–	800	

Notes:

1. Based on 240,000 power cycles with nominal V_{CCO} of 3.3V or 36,500 power cycles with worst case V_{CCO} of 3.465V.

DC Input and Output Levels

Values for V_{IL} and V_{IH} are recommended input voltages. Values for I_{OL} and I_{OH} are guaranteed over the recommended operating conditions at the V_{OL} and V_{OH} test points. Only selected standards are tested. These are chosen to ensure that all standards meet their specifications. The selected standards are tested at a minimum V_{CCO} with the respective V_{OL} and V_{OH} voltage levels shown. Other standards are sample tested.

PS I/O Levels

Table 8: PS DC Input and Output Levels⁽¹⁾

Bank	I/O Standard	V_{IL}		V_{IH}		V_{OL}	V_{OH}	I_{OL}	I_{OH}
		V, Min	V, Max	V, Min	V, Max	V, Max	V, Min	mA	mA
MIO	LVC MOS18	-0.300	$35\% V_{CCO_MIO}$	$65\% V_{CCO_MIO}$	$V_{CCO_MIO} + 0.300$	0.450	$V_{CCO_MIO} - 0.450$	8	-8
MIO	LVC MOS25	-0.300	0.700	1.700	$V_{CCO_MIO} + 0.300$	0.400	$V_{CCO_MIO} - 0.400$	8	-8
MIO	LVC MOS33	-0.300	0.800	2.000	3.450	0.400	$V_{CCO_MIO} - 0.400$	8	-8
MIO	HSTL_I_18	-0.300	$V_{PREF} - 0.100$	$V_{PREF} + 0.100$	$V_{CCO_MIO} + 0.300$	0.400	$V_{CCO_MIO} - 0.400$	8	-8
DDR	SSTL18_I	-0.300	$V_{PREF} - 0.125$	$V_{PREF} + 0.125$	$V_{CCO_DDR} + 0.300$	$V_{CCO_DDR}/2 - 0.470$	$V_{CCO_DDR}/2 + 0.470$	8	-8
DDR	SSTL15	-0.300	$V_{PREF} - 0.100$	$V_{PREF} + 0.100$	$V_{CCO_DDR} + 0.300$	$V_{CCO_DDR}/2 - 0.175$	$V_{CCO_DDR}/2 + 0.175$	13.0	-13.0
DDR	SSTL135	-0.300	$V_{PREF} - 0.090$	$V_{PREF} + 0.090$	$V_{CCO_DDR} + 0.300$	$V_{CCO_DDR}/2 - 0.150$	$V_{CCO_DDR}/2 + 0.150$	13.0	-13.0
DDR	HSUL_12	-0.300	$V_{PREF} - 0.130$	$V_{PREF} + 0.130$	$V_{CCO_DDR} + 0.300$	$20\% V_{CCO_DDR}$	$80\% V_{CCO_DDR}$	0.1	-0.1

Notes:

1. Tested according to relevant specifications.

Table 9: PS Complementary Differential DC Input and Output Levels

Bank	I/O Standard	$V_{ICM}^{(1)}$			$V_{ID}^{(2)}$		$V_{OL}^{(3)}$	$V_{OH}^{(4)}$	I_{OL}	I_{OH}
		V, Min	V, Typ	V, Max	V, Min	V, Max	V, Max	V, Min	mA, Max	mA, Min
DDR	DIFF_HSUL_12	0.300	0.600	0.850	0.100	-	$20\% V_{CCO}$	$80\% V_{CCO}$	0.100	-0.100
DDR	DIFF_SSTL135	0.300	0.675	1.000	0.100	-	$(V_{CCO_DDR}/2) - 0.150$	$(V_{CCO_DDR}/2) + 0.150$	13.0	-13.0
DDR	DIFF_SSTL15	0.300	0.750	1.125	0.100	-	$(V_{CCO_DDR}/2) - 0.175$	$(V_{CCO_DDR}/2) + 0.175$	13.0	-13.0
DDR	DIFF_SSTL18_I	0.300	0.900	1.425	0.100	-	$(V_{CCO_DDR}/2) - 0.470$	$(V_{CCO_DDR}/2) + 0.470$	8.00	-8.00

Notes:

1. V_{ICM} is the input common mode voltage.
2. V_{ID} is the input differential voltage ($Q-\bar{Q}$).
3. V_{OL} is the single-ended low-output voltage.
4. V_{OH} is the single-ended high-output voltage.

PL I/O Levels

Table 10: SelectIO DC Input and Output Levels⁽¹⁾⁽²⁾

I/O Standard	V_{IL}		V_{IH}		V_{OL}	V_{OH}	I_{OL}	I_{OH}
	V, Min	V, Max	V, Min	V, Max	V, Max	V, Min	mA	mA
HSTL_I	-0.300	$V_{REF} - 0.100$	$V_{REF} + 0.100$	$V_{CCO} + 0.300$	0.400	$V_{CCO} - 0.400$	8.00	-8.00
HSTL_I_18	-0.300	$V_{REF} - 0.100$	$V_{REF} + 0.100$	$V_{CCO} + 0.300$	0.400	$V_{CCO} - 0.400$	8.00	-8.00
HSTL_II	-0.300	$V_{REF} - 0.100$	$V_{REF} + 0.100$	$V_{CCO} + 0.300$	0.400	$V_{CCO} - 0.400$	16.00	-16.00
HSTL_II_18	-0.300	$V_{REF} - 0.100$	$V_{REF} + 0.100$	$V_{CCO} + 0.300$	0.400	$V_{CCO} - 0.400$	16.00	-16.00
HSUL_12	-0.300	$V_{REF} - 0.130$	$V_{REF} + 0.130$	$V_{CCO} + 0.300$	20% V_{CCO}	80% V_{CCO}	0.10	-0.10
LVC MOS12	-0.300	35% V_{CCO}	65% V_{CCO}	$V_{CCO} + 0.300$	0.400	$V_{CCO} - 0.400$	Note 3	Note 3
LVC MOS15	-0.300	35% V_{CCO}	65% V_{CCO}	$V_{CCO} + 0.300$	25% V_{CCO}	75% V_{CCO}	Note 4	Note 4
LVC MOS18	-0.300	35% V_{CCO}	65% V_{CCO}	$V_{CCO} + 0.300$	0.450	$V_{CCO} - 0.450$	Note 5	Note 5
LVC MOS25	-0.300	0.7	1.700	$V_{CCO} + 0.300$	0.400	$V_{CCO} - 0.400$	Note 4	Note 4
LVC MOS33	-0.300	0.8	2.000	3.450	0.400	$V_{CCO} - 0.400$	Note 4	Note 4
LVTTTL	-0.300	0.8	2.000	3.450	0.400	2.400	Note 5	Note 5
MOBILE_DDR	-0.300	20% V_{CCO}	80% V_{CCO}	$V_{CCO} + 0.300$	10% V_{CCO}	90% V_{CCO}	0.10	-0.10
PCI33_3	-0.500	30% V_{CCO}	50% V_{CCO}	$V_{CCO} + 0.500$	10% V_{CCO}	90% V_{CCO}	1.50	-0.50
SSTL135	-0.300	$V_{REF} - 0.090$	$V_{REF} + 0.090$	$V_{CCO} + 0.300$	$V_{CCO}/2 - 0.150$	$V_{CCO}/2 + 0.150$	13.00	-13.00
SSTL135_R	-0.300	$V_{REF} - 0.090$	$V_{REF} + 0.090$	$V_{CCO} + 0.300$	$V_{CCO}/2 - 0.150$	$V_{CCO}/2 + 0.150$	8.90	-8.90
SSTL15	-0.300	$V_{REF} - 0.100$	$V_{REF} + 0.100$	$V_{CCO} + 0.300$	$V_{CCO}/2 - 0.175$	$V_{CCO}/2 + 0.175$	13.00	-13.00
SSTL15_R	-0.300	$V_{REF} - 0.100$	$V_{REF} + 0.100$	$V_{CCO} + 0.300$	$V_{CCO}/2 - 0.175$	$V_{CCO}/2 + 0.175$	8.90	-8.90
SSTL18_I	-0.300	$V_{REF} - 0.125$	$V_{REF} + 0.125$	$V_{CCO} + 0.300$	$V_{CCO}/2 - 0.470$	$V_{CCO}/2 + 0.470$	8.00	-8.00
SSTL18_II	-0.300	$V_{REF} - 0.125$	$V_{REF} + 0.125$	$V_{CCO} + 0.300$	$V_{CCO}/2 - 0.600$	$V_{CCO}/2 + 0.600$	13.40	-13.40

Notes:

1. Tested according to relevant specifications.
2. 3.3V and 2.5V standards are only supported in 3.3V I/O banks.
3. Supported drive strengths of 4, 8, or 12 mA in HR I/O banks.
4. Supported drive strengths of 4, 8, 12, or 16 mA in HR I/O banks.
5. Supported drive strengths of 4, 8, 12, 16, or 24 mA in HR I/O banks.
6. For detailed interface specific DC voltage levels, see [UG471: 7 Series FPGAs SelectIO Resources User Guide](#).

Table 11: Differential SelectIO DC Input and Output Levels

I/O Standard	$V_{ICM}^{(1)}$			$V_{ID}^{(2)}$			$V_{OCM}^{(3)}$			$V_{OD}^{(4)}$		
	V, Min	V, Typ	V, Max	V, Min	V, Typ	V, Max	V, Min	V, Typ	V, Max	V, Min	V, Typ	V, Max
BLVDS_25	0.300	1.200	1.425	0.100	–	–	–	1.250	–	Note 5		
MINI_LVDS_25	0.300	1.200	V_{CCAUX}	0.200	0.400	0.600	1.000	1.200	1.400	0.300	0.450	0.600
PPDS_25	0.200	0.900	V_{CCAUX}	0.100	0.250	0.400	0.500	0.950	1.400	0.100	0.250	0.400
RSDS_25	0.300	0.900	1.500	0.100	0.350	0.600	1.000	1.200	1.400	0.100	0.350	0.600
TMDS_33	2.700	2.965	3.230	0.150	0.675	1.200	$V_{CCO} - 0.405$	$V_{CCO} - 0.300$	$V_{CCO} - 0.190$	0.400	0.600	0.800

Notes:

1. V_{ICM} is the input common mode voltage.
2. V_{ID} is the input differential voltage ($Q - \bar{Q}$).
3. V_{OCM} is the output common mode voltage.
4. V_{OD} is the output differential voltage ($Q - \bar{Q}$).
5. V_{OD} for BLVDS will vary significantly depending on topology and loading.

Table 12: Complementary Differential SelectIO DC Input and Output Levels

I/O Standard	$V_{ICM}^{(1)}$			$V_{ID}^{(2)}$		$V_{OL}^{(3)}$	$V_{OH}^{(4)}$	I_{OL}	I_{OH}
	V, Min	V, Typ	V, Max	V, Min	V, Max	V, Max	V, Min	mA, Max	mA, Min
DIFF_HSTL_I	0.300	0.750	1.125	0.100	–	0.400	$V_{CCO}-0.400$	8.00	–8.00
DIFF_HSTL_I_18	0.300	0.900	1.425	0.100	–	0.400	$V_{CCO}-0.400$	8.00	–8.00
DIFF_HSTL_II	0.300	0.750	1.125	0.100	–	0.400	$V_{CCO}-0.400$	16.00	–16.00
DIFF_HSTL_II_18	0.300	0.900	1.425	0.100	–	0.400	$V_{CCO}-0.400$	16.00	–16.00
DIFF_HSUL_12	0.300	0.600	0.850	0.100	–	20% V_{CCO}	80% V_{CCO}	0.100	–0.100
DIFF_MOBILE_DDR	0.300	0.900	1.425	0.100	–	10% V_{CCO}	90% V_{CCO}	0.100	–0.100
DIFF_SSTL135	0.300	0.675	1.000	0.100	–	$(V_{CCO}/2) - 0.150$	$(V_{CCO}/2) + 0.150$	13.0	–13.0
DIFF_SSTL135_R	0.300	0.675	1.000	0.100	–	$(V_{CCO}/2) - 0.150$	$(V_{CCO}/2) + 0.150$	8.9	–8.9
DIFF_SSTL15	0.300	0.750	1.125	0.100	–	$(V_{CCO}/2) - 0.175$	$(V_{CCO}/2) + 0.175$	13.0	–13.0
DIFF_SSTL15_R	0.300	0.750	1.125	0.100	–	$(V_{CCO}/2) - 0.175$	$(V_{CCO}/2) + 0.175$	8.9	–8.9
DIFF_SSTL18_I	0.300	0.900	1.425	0.100	–	$(V_{CCO}/2) - 0.470$	$(V_{CCO}/2) + 0.470$	8.00	–8.00
DIFF_SSTL18_II	0.300	0.900	1.425	0.100	–	$(V_{CCO}/2) - 0.600$	$(V_{CCO}/2) + 0.600$	13.4	–13.4

Notes:

1. V_{ICM} is the input common mode voltage.
2. V_{ID} is the input differential voltage ($Q-\bar{Q}$).
3. V_{OL} is the single-ended low-output voltage.
4. V_{OH} is the single-ended high-output voltage.

Table 13: LVDS_25 DC Specifications⁽¹⁾

Symbol	DC Parameter	Conditions	Min	Typ	Max	Units
V_{CCO}	Supply voltage		2.375	2.5	2.625	V
V_{OH}	Output High voltage for Q and \bar{Q}	$R_T = 100 \Omega$ across Q and \bar{Q} signals	–	–	1.675	V
V_{OL}	Output Low voltage for Q and \bar{Q}	$R_T = 100 \Omega$ across Q and \bar{Q} signals	0.700	–	–	V
V_{ODIFF}	Differential output voltage ($Q - \bar{Q}$), Q = High ($\bar{Q} - Q$), \bar{Q} = High	$R_T = 100 \Omega$ across Q and \bar{Q} signals	247	350	600	mV
V_{OCM}	Output common-mode voltage	$R_T = 100 \Omega$ across Q and \bar{Q} signals	1.00	1.25	1.425	V
V_{IDIFF}	Differential input voltage ($Q - \bar{Q}$), Q = High ($\bar{Q} - Q$), \bar{Q} = High		100	350	600	mV
V_{ICM}	Input common-mode voltage		0.3	1.2	1.425	V

Notes:

1. For detailed interface specific DC voltage levels, see [UG471: 7 Series FPGAs SelectIO Resources User Guide](#).

AC Switching Characteristics

All values represented in this data sheet are based on the speed specifications in the ISE® Design Suite 14.4 and the 14.4 device pack v1.05 for the -3, -2, and -1 speed grades.

Switching characteristics are specified on a per-speed-grade basis and can be designated as Advance, Preliminary, or Production. Each designation is defined as follows:

Advance Product Specification

These specifications are based on simulations only and are typically available soon after device design specifications are frozen. Although speed grades with this designation are considered relatively stable and conservative, some under-reporting might still occur.

Preliminary Product Specification

These specifications are based on complete ES (engineering sample) silicon characterization. Devices and speed grades with this designation are intended to give a better indication of the expected performance of production silicon. The probability of under-reporting delays is greatly reduced as compared to Advance data.

Production Product Specification

These specifications are released once enough production silicon of a particular device family member has been characterized to provide full correlation between specifications and devices over numerous production lots. There is no under-reporting of delays, and customers receive formal notification of any subsequent changes. Typically, the slowest speed grades transition to Production before faster speed grades.

Testing of AC Switching Characteristics

Internal timing parameters are derived from measuring internal test patterns. All AC switching characteristics are representative of worst-case supply voltage and junction temperature conditions.

For more specific, more precise, and worst-case guaranteed data, use the values reported by the static timing analyzer and back-annotate to the simulation net list. Unless otherwise noted, values apply to all Zynq-7000 devices.

Speed Grade Designations

Since individual family members are produced at different times, the migration from one category to another depends completely on the status of the fabrication process for each device. [Table 14](#) correlates the current status of each Zynq-7000 device on a per speed grade basis.

Table 14: Zynq-7000 Device Speed Grade Designations

Device	Speed Grade Designations		
	Advance	Preliminary	Production
XC7Z010		-3, -2, -1	
XC7Z020		-3	-2, -1

Production Silicon and ISE Software Status

In some cases, a particular family member (and speed grade) is released to production before a speed specification is released with the correct label (Advance, Preliminary, Production). Any labeling discrepancies are corrected in subsequent speed specification releases.

Table 15 lists the production released Zynq-7000 device, speed grade, and the minimum corresponding supported speed specification version and ISE software revisions. The ISE software and speed specifications listed are the minimum releases required for production. All subsequent releases of software and speed specifications are valid.

Table 15: Zynq-7000 Device Production Software and Speed Specification Release

Device	Speed Grade Designations		
	-3	-2	-1
XC7Z010			
XC7Z020		ISE 14.4 and the 14.4 device pack v1.05	

Notes:

- Blank entries indicate a device and/or speed grade in advance or preliminary status.

PS Performance Characteristics

For further design requirement details, refer to [UG585](#), *Zynq-7000 All Programmable SoC Technical Reference Manual*.

Table 16: CPU Clock Domains Performance

Symbol	Clock Ratio	Description	Speed Grade			Units
			-3	-2	-1	
$F_{\text{CPU_6X4X_621_MAX}}$ ⁽¹⁾	6:2:1	Maximum CPU clock frequency	800	733	667	MHz
$F_{\text{CPU_3X2X_621_MAX}}$		Maximum CPU_3X clock frequency	400	367	333	MHz
$F_{\text{CPU_2X_621_MAX}}$		Maximum CPU_2X clock frequency	267	244	222	MHz
$F_{\text{CPU_1X_621_MAX}}$		Maximum CPU_1X clock frequency	133	122	111	MHz
$F_{\text{CPU_6X4X_421_MAX}}$ ⁽¹⁾	4:2:1	Maximum CPU clock frequency	710	600	533	MHz
$F_{\text{CPU_3X2X_421_MAX}}$		Maximum CPU_3X clock frequency	355	300	267	MHz
$F_{\text{CPU_2X_421_MAX}}$		Maximum CPU_2X clock frequency	355	300	267	MHz
$F_{\text{CPU_1X_421_MAX}}$		Maximum CPU_1X clock frequency	178	150	133	MHz

Notes:

- The maximum frequency during BootROM execution is 500 MHz across all speed specifications.

Table 17: PS DDR Clock Domains Performance

Symbol	Description	Speed Grade			Units
		-3	-2	-1	
$F_{\text{DDR3_MAX}}$	Maximum DDR3 interface performance	1066	1066	1066	Mb/s
$F_{\text{DDR3L_MAX}}$	Maximum DDR3L interface performance	800	800	800	Mb/s
$F_{\text{DDR2_MAX}}$	Maximum DDR2 interface performance	800	800	800	Mb/s
$F_{\text{LPDDR2_MAX}}$	Maximum LPDDR2 interface performance	800	800	800	Mb/s
$F_{\text{DDRCLK_2XMAX}}$	Maximum DDR_2X clock frequency	444	408	355	MHz

Notes:

- All performance numbers apply to both internal and external V_{REF} configurations.

PS Switching Characteristics

Clocks

Table 18: System Reference Clock Requirements

Symbol	Description	Min	Typ	Max	Units
T _{JTPSCLK}	PS_CLK RMS clock jitter tolerance	–	–	±0.5	%
T _{DCPSCLK}	PS_CLK duty cycle	40	–	60	%
T _{RFPCLK}	PS_CLK rise and fall time	–	4	–	ns
F _{PSCLK}	PS_CLK frequency	30	–	60	MHz

Table 19: PS PLL Switching Characteristics

Symbol	Description	Speed Grade			Units
		-3	-2	-1	
T _{LOCK_PSPLL}	PLL maximum lock time	60	60	60	µs
F _{PSPLL_MAX}	PLL maximum output frequency	2000	1800	1600	MHz
F _{PSPLL_MIN}	PLL minimum output frequency	780	780	780	MHz

Resets

Table 20: PS Reset Requirements

Symbol	Description	Min	Typ	Max	Units
T _{PSPOR}	Required PS_POR_B assertion time ⁽¹⁾ .	100	–	–	µs
T _{PSRST}	Required PS_SRST_B assertion time.	3	–	–	PS_CLK Clock Cycles

Notes:

1. PS_POR_B needs to be asserted low until PS supply voltages reach minimum levels.

PS Configuration

Table 21: Processor Configuration Access Port Switching Characteristics

Symbol	Description	Min	Typ	Max	Units
F _{PCAPCK}	Maximum processor configuration access port (PCAP) frequency	–	–	100	MHz

DDR Memory Interfaces

Table 22: DDR3 Interface Switching Characteristics (1066 Mb/s)⁽¹⁾

Symbol	Description	Min	Max	Units
T _{DQVALID}	Input data valid window	500	–	ps
T _{DQDS} ⁽²⁾	Output DQ to DQS skew	131	–	ps
T _{DQDH} ⁽³⁾	Output DQS to DQ skew	288	–	ps
T _{DQSS}	Output clock to DQS skew	–0.11	0.09	T _{CK}
T _{CACK} ⁽⁴⁾	Command/address output setup time with respect to CLK	532	–	ps
T _{CKCA} ⁽⁵⁾	Command/address output hold time with respect to CLK	637	–	ps

Notes:

1. Recommended V_{CCO_DDR} = 1.5V ±5%.
2. Measurement is taken from either the rising edge of DQ that crosses V_{IH}(AC) or the falling edge of DQ that crosses V_{IL}(AC) to V_{REF} of DQS.
3. Measurement is taken from either the rising edge of DQ that crosses V_{IL}(DC) or the falling edge of DQ that crosses V_{IH}(DC) to V_{REF} of DQS.
4. Measurement is taken from either the rising edge of CMD/ADDR that crosses V_{IH}(AC) or the falling edge of CMD/ADDR that crosses V_{IL}(AC) to V_{REF} of CLK.
5. Measurement is taken from either the rising edge of CMD/ADDR that crosses V_{IL}(DC) or the falling edge of CMD/ADDR that crosses V_{IH}(DC) to V_{REF} of CLK.

Table 23: DDR3 Interface Switching Characteristics (800 Mb/s)⁽¹⁾

Symbol	Description	Min	Max	Units
T _{DQVALID}	Input data valid window	500	–	ps
T _{DQDS} ⁽²⁾	Output DQ to DQS skew	232	–	ps
T _{DQDH} ⁽³⁾	Output DQS to DQ skew	401	–	ps
T _{DQSS}	Output clock to DQS skew	–0.10	0.06	T _{CK}
T _{CACK} ⁽⁴⁾	Command/address output setup time with respect to CLK	722	–	ps
T _{CKCA} ⁽⁵⁾	Command/address output hold time with respect to CLK	882	–	ps

Notes:

1. Recommended V_{CCO_DDR} = 1.5V ±5%.
2. Measurement is taken from either the rising edge of DQ that crosses V_{IH}(AC) or the falling edge of DQ that crosses V_{IL}(AC) to V_{REF} of DQS.
3. Measurement is taken from either the rising edge of DQ that crosses V_{IL}(DC) or the falling edge of DQ that crosses V_{IH}(DC) to V_{REF} of DQS.
4. Measurement is taken from either the rising edge of CMD/ADDR that crosses V_{IH}(AC) or the falling edge of CMD/ADDR that crosses V_{IL}(AC) to V_{REF} of CLK.
5. Measurement is taken from either the rising edge of CMD/ADDR that crosses V_{IL}(DC) or the falling edge of CMD/ADDR that crosses V_{IH}(DC) to V_{REF} of CLK.

Table 24: DDR3L Interface Switching Characteristics (800 Mb/s)⁽¹⁾

Symbol	Description	Min	Max	Units
$T_{DQVALID}$	Input data valid window	500	–	ps
$T_{DQDS}^{(2)}$	Output DQ to DQS skew	321	–	ps
$T_{DQDH}^{(3)}$	Output DQS to DQ skew	380	–	ps
T_{DQSS}	Output clock to DQS skew	–0.12	0.04	T_{CK}
$T_{CACK}^{(4)}$	Command/address output setup time with respect to CLK	636	–	ps
$T_{CKCA}^{(5)}$	Command/address output hold time with respect to CLK	853	–	ps

Notes:

1. Recommended $V_{CCO_DDR} = 1.35V \pm 5\%$.
2. Measurement is taken from either the rising edge of DQ that crosses $V_{IH}(AC)$ or the falling edge of DQ that crosses $V_{IL}(AC)$ to V_{REF} of DQS.
3. Measurement is taken from either the rising edge of DQ that crosses $V_{IL}(DC)$ or the falling edge of DQ that crosses $V_{IH}(DC)$ to V_{REF} of DQS.
4. Measurement is taken from either the rising edge of CMD/ADDR that crosses $V_{IH}(AC)$ or the falling edge of CMD/ADDR that crosses $V_{IL}(AC)$ to V_{REF} of CLK.
5. Measurement is taken from either the rising edge of CMD/ADDR that crosses $V_{IL}(DC)$ or the falling edge of CMD/ADDR that crosses $V_{IH}(DC)$ to V_{REF} of CLK.

Table 25: LPDDR2 Interface Switching Characteristics (800 Mb/s)⁽¹⁾

Symbol	Description	Min	Max	Units
$T_{DQVALID}$	Input data valid window	500	–	ps
$T_{DQDS}^{(2)}$	Output DQ to DQS skew	196	–	ps
$T_{DQDH}^{(3)}$	Output DQS to DQ skew	328	–	ps
T_{DQSS}	Output clock to DQS skew	0.90	1.06	T_{CK}
$T_{CACK}^{(4)}$	Command/address output setup time with respect to CLK	202	–	ps
$T_{CKCA}^{(5)}$	Command/address output hold time with respect to CLK	353	–	ps

Notes:

1. Recommended $V_{CCO_DDR} = 1.2V \pm 5\%$.
2. Measurement is taken from either the rising edge of DQ that crosses $V_{IH}(AC)$ or the falling edge of DQ that crosses $V_{IL}(AC)$ to V_{REF} of DQS.
3. Measurement is taken from either the rising edge of DQ that crosses $V_{IL}(DC)$ or the falling edge of DQ that crosses $V_{IH}(DC)$ to V_{REF} of DQS.
4. Measurement is taken from either the rising edge of CMD/ADDR that crosses $V_{IH}(AC)$ or the falling edge of CMD/ADDR that crosses $V_{IL}(AC)$ to V_{REF} of CLK.
5. Measurement is taken from either the rising edge of CMD/ADDR that crosses $V_{IL}(DC)$ or the falling edge of CMD/ADDR that crosses $V_{IH}(DC)$ to V_{REF} of CLK.

Table 26: LPDDR2 Interface Switching Characteristics (400 Mb/s)⁽¹⁾

Symbol	Description	Min	Max	Units
$T_{DQVALID}$	Input data valid window	500	–	ps
$T_{DQDS}^{(2)}$	Output DQ to DQS skew	664	–	ps
$T_{DQDH}^{(3)}$	Output DQS to DQ skew	766	–	ps
T_{DQSS}	Output clock to DQS skew	0.90	1.06	T_{CK}
$T_{CACK}^{(4)}$	Command/address output setup time with respect to CLK	731	–	ps
$T_{CKCA}^{(5)}$	Command/address output hold time with respect to CLK	907	–	ps

Notes:

1. Recommended $V_{CCO_DDR} = 1.2V \pm 5\%$.
2. Measurement is taken from either the rising edge of DQ that crosses $V_{IH}(AC)$ or the falling edge of DQ that crosses $V_{IL}(AC)$ to V_{REF} of DQS.
3. Measurement is taken from either the rising edge of DQ that crosses $V_{IL}(DC)$ or the falling edge of DQ that crosses $V_{IH}(DC)$ to V_{REF} of DQS.
4. Measurement is taken from either the rising edge of CMD/ADDR that crosses $V_{IH}(AC)$ or the falling edge of CMD/ADDR that crosses $V_{IL}(AC)$ to V_{REF} of CLK.
5. Measurement is taken from either the rising edge of CMD/ADDR that crosses $V_{IL}(DC)$ or the falling edge of CMD/ADDR that crosses $V_{IH}(DC)$ to V_{REF} of CLK.

Table 27: DDR2 Interface Switching Characteristics (800 Mb/s)⁽¹⁾

Symbol	Description	Min	Max	Units
$T_{DQVALID}$	Input data valid window	500	–	ps
$T_{DQDS}^{(2)}$	Output DQ to DQS skew	147	–	ps
$T_{DQDH}^{(3)}$	Output DQS to DQ skew	376	–	ps
T_{DQSS}	Output clock to DQS skew	–0.07	0.08	T_{CK}
$T_{CACK}^{(4)}$	Command/address output setup time with respect to CLK	732	–	ps
$T_{CKCA}^{(5)}$	Command/address output hold time with respect to CLK	938	–	ps

Notes:

1. Recommended $V_{CCO_DDR} = 1.8V \pm 5\%$.
2. Measurement is taken from either the rising edge of DQ that crosses $V_{IH}(AC)$ or the falling edge of DQ that crosses $V_{IL}(AC)$ to V_{REF} of DQS.
3. Measurement is taken from either the rising edge of DQ that crosses $V_{IL}(DC)$ or the falling edge of DQ that crosses $V_{IH}(DC)$ to V_{REF} of DQS.
4. Measurement is taken from either the rising edge of CMD/ADDR that crosses $V_{IH}(AC)$ or the falling edge of CMD/ADDR that crosses $V_{IL}(AC)$ to V_{REF} of CLK.
5. Measurement is taken from either the rising edge of CMD/ADDR that crosses $V_{IL}(DC)$ or the falling edge of CMD/ADDR that crosses $V_{IH}(DC)$ to V_{REF} of CLK.

Table 28: DDR2 Interface Switching Characteristics (400 Mb/s)⁽¹⁾

Symbol	Description	Min	Max	Units
$T_{DQVALID}$	Input data valid window	500	–	ps
$T_{DQDS}^{(2)}$	Output DQ to DQS skew	385	–	ps
$T_{DQDH}^{(3)}$	Output DQS to DQ skew	662	–	ps
T_{DQSS}	Output clock to DQS skew	-0.11	0.06	T_{CK}
$T_{CACK}^{(4)}$	Command/address output setup time with respect to CLK	1760	–	ps
$T_{CKCA}^{(5)}$	Command/address output hold time with respect to CLK	1739	–	ps

Notes:

1. Recommended $V_{CCO_DDR} = 1.8V \pm 5\%$.
2. Measurement is taken from either the rising edge of DQ that crosses $V_{IH}(AC)$ or the falling edge of DQ that crosses $V_{IL}(AC)$ to V_{REF} of DQS.
3. Measurement is taken from either the rising edge of DQ that crosses $V_{IL}(DC)$ or the falling edge of DQ that crosses $V_{IH}(DC)$ to V_{REF} of DQS.
4. Measurement is taken from either the rising edge of CMD/ADDR that crosses $V_{IH}(AC)$ or the falling edge of CMD/ADDR that crosses $V_{IL}(AC)$ to V_{REF} of CLK.
5. Measurement is taken from either the rising edge of CMD/ADDR that crosses $V_{IL}(DC)$ or the falling edge of CMD/ADDR that crosses $V_{IH}(DC)$ to V_{REF} of CLK.

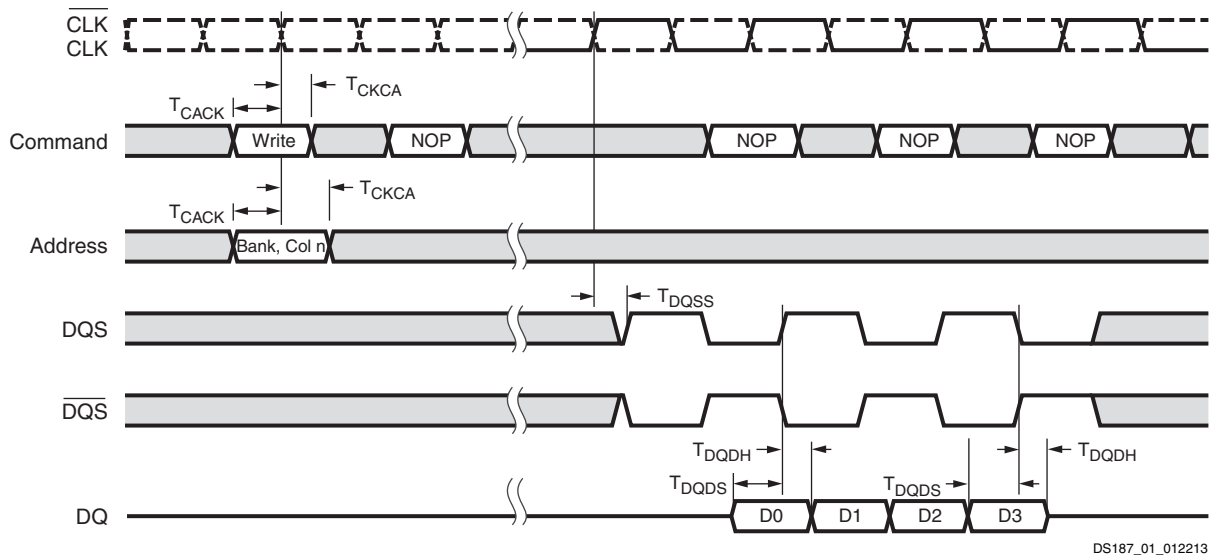


Figure 1: DDR Output Timing Diagram

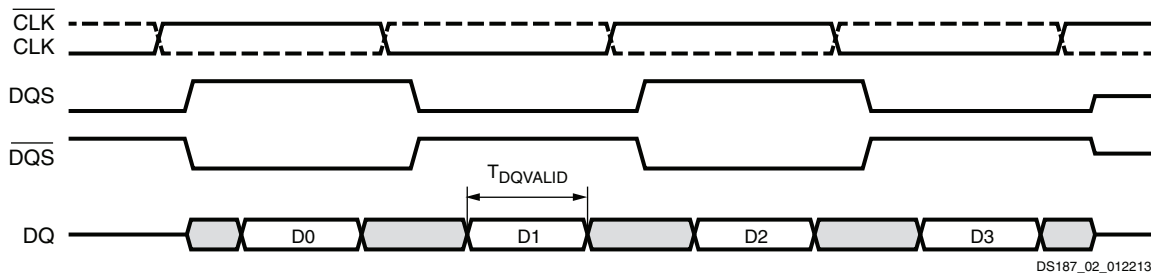


Figure 2: DDR Input Timing Diagram

Static Memory Controller

Table 29: SMC Interface Delay Characteristics⁽¹⁾

Symbol	Description	Min	Max	Units
T _{NANDDOUT}	NAND_IO output delay from last register to pad	4.12	6.45	ns
T _{NANDALE}	NAND_ALE output delay from last register to pad	5.08	6.33	ns
T _{NANDCLE}	NAND_CLE output delay from last register to pad	4.87	6.40	ns
T _{NANDWE}	NAND_WE_B output delay from last register to pad	4.69	5.89	ns
T _{NANDRE}	NAND_RE_B output delay from last register to pad	5.12	6.44	ns
T _{NANDCE}	NAND_CE_B output delay from last register to pad	4.68	5.89	ns
T _{NANDDIN}	NAND_IO setup time and input delay from pad to first register	1.48	3.09	ns
T _{NANDBUSY}	NAND_BUSY setup time and input delay from pad to first register	2.48	3.33	ns
T _{SRAMA}	SRAM_A output delay from last register to pad	3.94	5.73	ns
T _{SRAMDOUT}	SRAM_DQ output delay from last register to pad	4.66	6.45	ns
T _{SRAMCE}	SRAM_CE output delay from last register to pad	4.57	5.95	ns
T _{SRAMOE}	SRAM_OE_B output delay from last register to pad	4.79	6.13	ns
T _{SRAMBLS}	SRAM_BLS_B output delay from last register to pad	5.25	6.74	ns
T _{SRAMWE}	SRAM_WE_B output delay from last register to pad	5.12	6.48	ns
T _{SRAMDIN}	SRAM_DQ setup time and input delay from pad to first register	1.93	3.05	ns
T _{SRAMWAIT}	SRAM_WAIT setup time and input delay from pad to first register	2.26	3.15	ns

Notes:

1. All parameters do not include the package flight time and register controlled delays.

Quad-SPI Interfaces

Table 30: Quad-SPI Interface Switching Characteristics⁽¹⁾⁽²⁾

Symbol	Description	Min	Typical	Max	Units
Feedback Clock Enabled					
T _{DCQSPICLK1}	Quad-SPI clock duty cycle	44	–	56	%
T _{QSPICKO1}	Data and slave select output delay	–0.10	–	3.40	ns
T _{QSPIDCK1}	Input data setup time	2.00	–	–	ns
T _{QSPICKD1}	Input data hold time	1.30	–	–	ns
T _{QSPISSCLK1}	Slave select asserted to next clock edge	1	–	–	F _{QSPI_REF_CLK} cycle
T _{QSPICLKSS1}	Clock edge to slave select deasserted	1	–	–	F _{QSPI_REF_CLK} cycle
F _{QSPICLK1}	Quad-SPI device clock frequency	–	–	100 ⁽³⁾	MHz
Feedback Clock Disabled					
T _{DCQSPICLK2}	Quad-SPI clock duty cycle	44	–	56	%
T _{QSPICKO2}	Data and slave select output delay	–0.10	–	3.80	ns
T _{QSPIDCK2}	Input data setup time ⁽⁴⁾	$11 - \frac{1}{F_{QSPI_REF_CLK}}$	–	–	ns
T _{QSPICKD2}	Input data hold time	$\frac{1}{2 \times F_{QSPI_REF_CLK2}}$	–	–	ns
T _{QSPISSCLK2}	Slave select asserted to next clock edge	1	–	–	F _{QSPI_REF_CLK} cycle
T _{QSPICLKSS2}	Clock edge to slave select deasserted	1	–	–	F _{QSPI_REF_CLK} cycle
F _{QSPICLK2}	Quad-SPI device clock frequency	–	–	40	MHz
Feedback Clock Enabled or Disabled					
F _{QSPI_REF_CLK}	Quad-SPI reference clock frequency	–	–	200	MHz

Notes:

1. Test conditions: LVCMOS33, slow slew rate, 8 mA drive strength, 15 pF loads, feedback clock pin has no load. Quad-SPI single slave select 4-bit I/O mode.
2. Dual slave select 4-bit stacked I/O configuration is not covered.
3. Requires appropriate component selection/board design.
4. Use 0 ns as the input data setup time when the calculated T_{QSPIDCK2} value is negative.

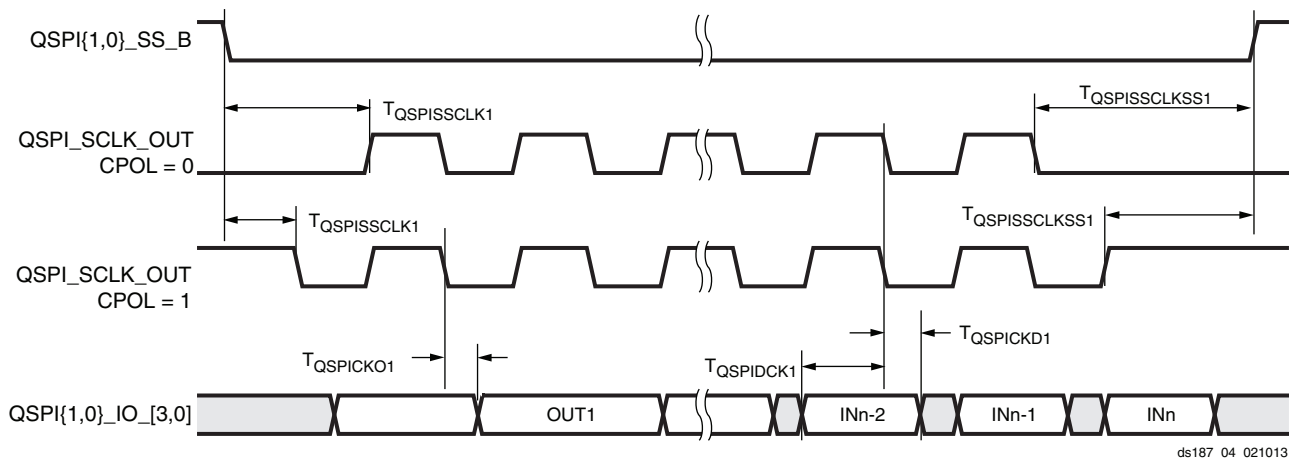


Figure 3: Quad-SPI Interface (Feedback Clock Enabled) Timing Diagram

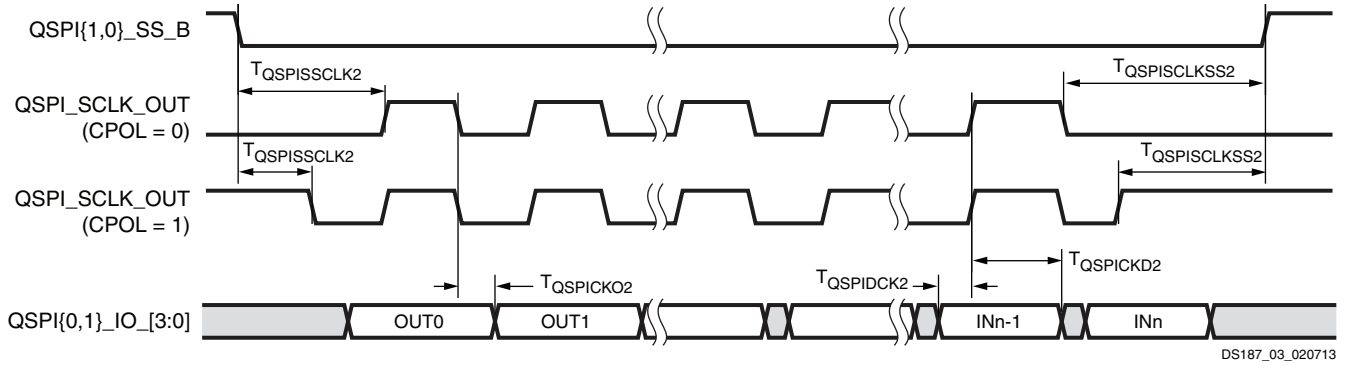


Figure 4: Quad-SPI Interface (Feedback Clock Disabled) Timing Diagram

ULPI Interfaces

Table 31: ULPI Interface Clock Receiving Mode Switching Characteristics⁽¹⁾⁽⁶⁾

Symbol	Description	Min	Typ	Max	Units
T _{ULPIDCK}	Input setup to ULPI clock, all inputs	3.00	–	–	ns
T _{ULPICKD}	Input hold to ULPI clock, all inputs	1.00	–	–	ns
T _{ULPICKO}	ULPI clock to output valid, all outputs	1.70	–	8.86	ns
F _{ULPICLK}	ULPI device clock frequency	–	60	–	MHz

Notes:

1. Test conditions: LVCMOS33, slow slew rate, 8 mA drive strength, 15 pF loads, 60 MHz device clock frequency.
6. All timing values assume an ideal external input clock. Actual design system timing budgets should account for additional external clock jitter.

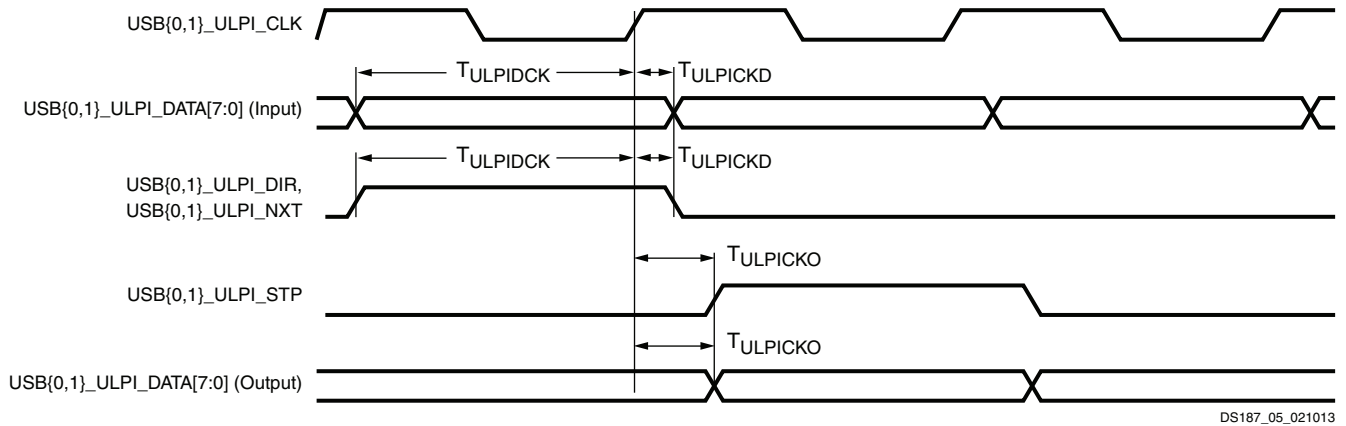


Figure 5: ULPI Interface Timing Diagram

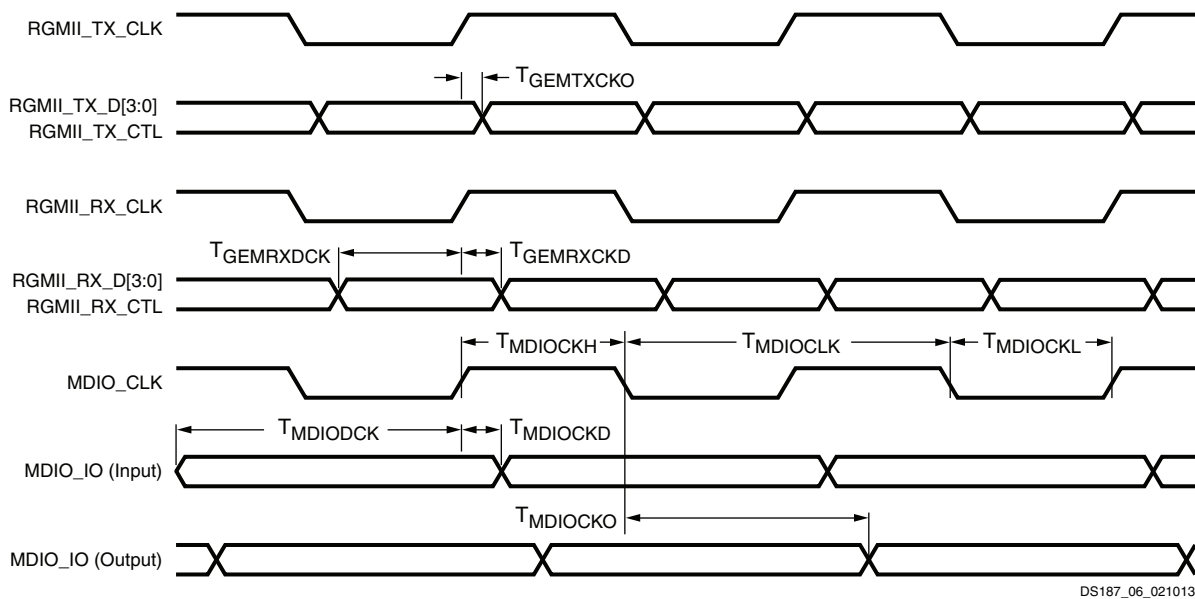
RGMI and MDIO Interfaces

Table 32: RGMI and MDIO Interface Switching Characteristics⁽¹⁾⁽²⁾⁽⁷⁾

Symbol	Description	Min	Typ	Max	Units
$T_{DCGETXCLK}$	Transmit clock duty cycle	45	–	55	%
$T_{GEMTXCKO}$	RGMI_TX_D[3:0], RGMI_TX_CTL output clock to out time	–0.50	–	0.50	ns
$T_{GEMRXDCK}$	RGMI_RX_D[3:0], RGMI_RX_CTL input setup time	0.80	–	–	ns
$T_{GEMRXCKD}$	RGMI_RX_D[3:0], RGMI_RX_CTL input hold time	0.80	–	–	ns
$T_{MDIOCLK}$	MDC output clock period	400	–	–	ns
$T_{MDIOCKH}$	MDC clock High time	160	–	–	ns
$T_{MDIOCKL}$	MDC clock Low time	160	–	–	ns
$T_{MDIODCK}$	MDIO input data setup time	80	–	–	ns
$T_{MDIOCKD}$	MDIO input data hold time	0	–	–	ns
$T_{MDIOCKO}$	MDIO data output delay	–	–	170	ns
$F_{GETXCLK}$	RGMI_TX_CLK transmit clock frequency	–	125	–	MHz
$F_{GERXCLK}$	RGMI_RX_CLK receive clock frequency	–	125	–	MHz
$F_{ENET_REF_CLK}$	Ethernet reference clock frequency	–	125	–	MHz

Notes:

1. Test conditions: LVCMOS25, fast slew rate, 8 mA drive strength, 15 pF loads. Values in this table are specified during 1000 Mb/s operation.
2. LVCMOS25 slow slew rate and LVCMOS33 are not supported.
7. All timing values assume an ideal external input clock. Actual design system timing budgets should account for additional external clock jitter.



DS187_06_021013

Figure 6: RGMI Interface Timing Diagram

SD/SDIO Interfaces

Table 33: SD/SDIO Interface High Speed Mode Switching Characteristics⁽¹⁾

Symbol	Description	Min	Typ	Max	Units
$T_{DCSDHSCLK}$	SD device clock duty cycle	–	50	–	%
$T_{SDHSCKO}$	Clock to output delay, all outputs	2.00	–	12.00	ns
$T_{SDHSDCK}$	Input setup time, all inputs	3.00	–	–	ns
$T_{SDHSDCKD}$	Input hold time, all inputs	1.05	–	–	ns
$F_{SD_REF_CLK}$	SD reference clock frequency	–	–	100	MHz
$F_{SDHSCLK}$	High speed mode SD device clock frequency	0	–	50	MHz

Notes:

- Test conditions: LVCMOS33, slow slew rate, 8 mA drive strength, 15 pF loads.

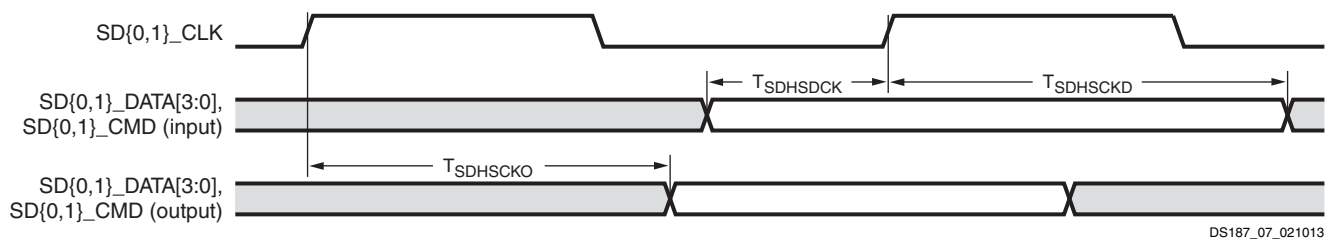


Figure 7: SD/SDIO Interface High Speed Mode Timing Diagram

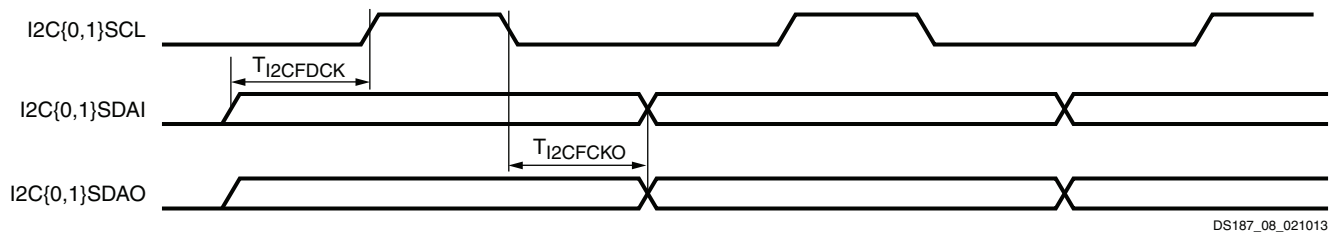
I2C Interfaces

Table 34: I2C Fast Mode Interface Switching Characteristics⁽¹⁾

Symbol	Description	Min	Typ	Max	Units
$T_{DCI2CFCLK}$	I2C{0,1}SCL duty cycle	–	50	–	%
$T_{I2CFCKO}$	I2C{0,1}SDAO clock to out delay	–	–	900	ns
$T_{I2CFDCK}$	I2C{0,1}SDAI setup time	100	–	–	ns
$F_{I2CFCLK}$	I2C{0,1}SCL clock frequency	–	–	400	KHz

Notes:

1. Test conditions: LVCMOS33, slow slew rate, 8 mA drive strength, 15 pF loads.



DS187_08_021013

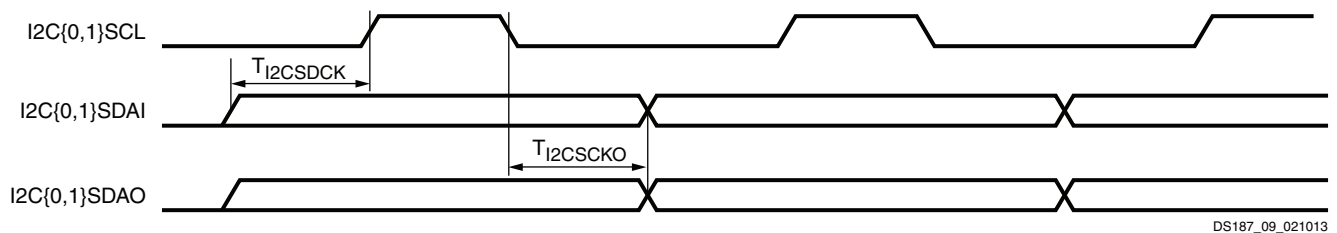
Figure 8: I2C Fast Mode Interface Timing Diagram

Table 35: I2C Standard Mode Interface Switching Characteristics⁽¹⁾

Symbol	Description	Min	Typ	Max	Units
$T_{DCI2CSCLK}$	I2C{0,1}SCL duty cycle	–	50	–	%
$T_{I2CSCKO}$	I2C{0,1}SDAO clock to out delay	–	–	3450	ns
$T_{I2CSDCK}$	I2C{0,1}SDAI setup time	250	–	–	ns
$F_{I2CSCLK}$	I2C{0,1}SCL clock frequency	–	–	100	KHz

Notes:

1. Test conditions: LVCMOS33, slow slew rate, 8 mA drive strength, 15 pF loads.



DS187_09_021013

Figure 9: I2C Standard Mode Interface Timing Diagram

SPI Interfaces

Table 36: SPI Master Mode Interface Switching Characteristics⁽¹⁾

Symbol	Description	Min	Typ	Max	Units
$T_{DCMSPICLK}$	SPI master mode clock duty cycle	–	50	–	%
$T_{MSPIDCK}$	Input setup time for SPI{0,1}_MISO	2.00	–	–	ns
$T_{MSPICKD}$	Input hold time for SPI{0,1}_MISO	8.20	–	–	ns
$T_{MSPICKO}$	Output delay for SPI{0,1}_MOSI and SPI{0,1}_SS	–3.10	–	3.90	ns
$T_{MSPISSCLK}$	Slave select asserted to first active clock edge	1	–	–	$F_{SPI_REF_CLK}$ cycles
$T_{MSPICKSS}$	Last active clock edge to slave select deasserted	0.5	–	–	$F_{SPI_REF_CLK}$ cycles
$F_{MSPICLK}$	SPI master mode device clock frequency	–	–	50.00	MHz
$F_{SPI_REF_CLK}$	SPI reference clock frequency	–	–	200.00	MHz

Notes:

1. Test conditions: LVCMOS33, slow slew rate, 8 mA drive strength, 15 pF loads.

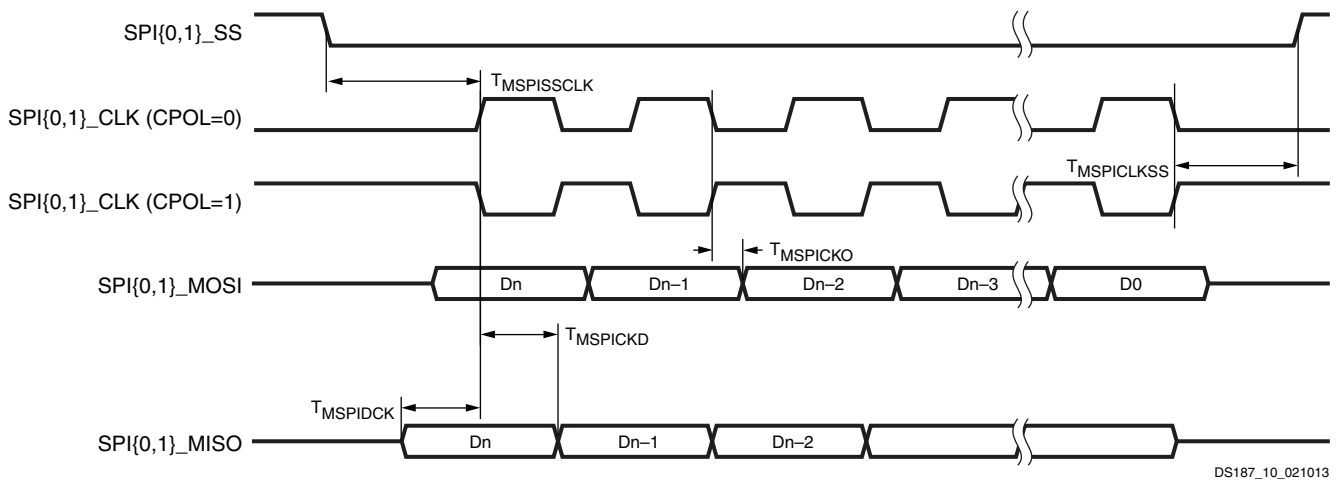


Figure 10: SPI Master (CPHA = 0) Interface Timing Diagram

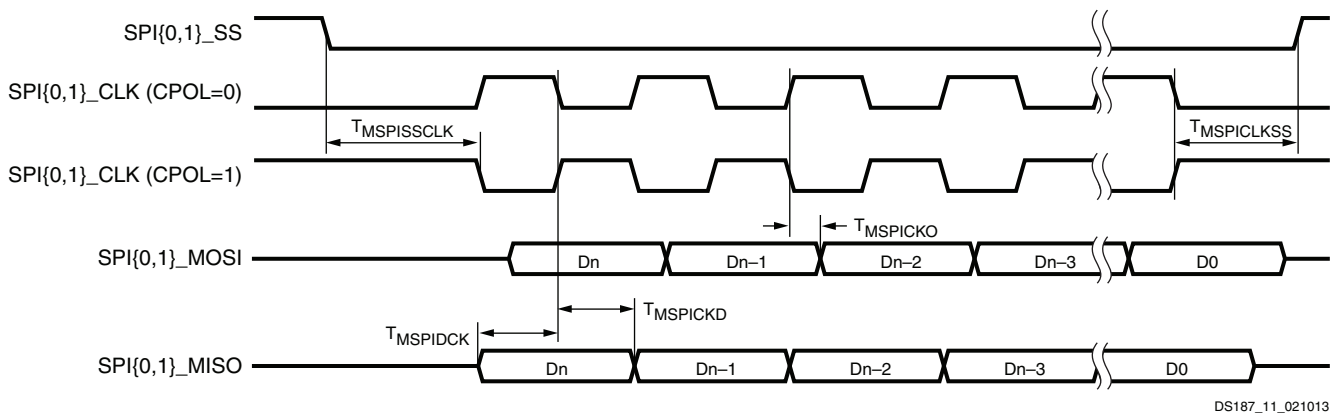


Figure 11: SPI Master (CPHA = 1) Interface Timing Diagram

Table 37: SPI Slave Mode Interface Switching Characteristics⁽¹⁾⁽²⁾

Symbol	Description	Min	Max	Units
$T_{SSPIDCK}$	Input setup time for SPI{0,1}_MOSI and SPI{0,1}_SS	1	–	$F_{SPI_REF_CLK}$ cycles
$T_{SSPICKD}$	Input hold time for SPI{0,1}_MOSI and SPI{0,1}_SS	1	–	$F_{SPI_REF_CLK}$ cycles
$T_{SSPICKO}$	Output delay for SPI{0,1}_MISO	0	2.6	$F_{SPI_REF_CLK}$ cycles
$T_{SSPISSCLK}$	Slave select asserted to first active clock edge	1	–	$F_{SPI_REF_CLK}$ cycles
$T_{SSPICKSS}$	Last active clock edge to slave select deasserted	1	–	$F_{SPI_REF_CLK}$ cycles
$F_{SSPICKLK}$	SPI slave mode device clock frequency	–	25	MHz
$F_{SPI_REF_CLK}$	SPI reference clock frequency	–	200	MHz

Notes:

1. Test conditions: LVCMOS33, slow slew rate, 8 mA drive strength, 15 pF loads.
2. All timing values assume an ideal external input clock. Actual design system timing budgets should account for additional external clock jitter.

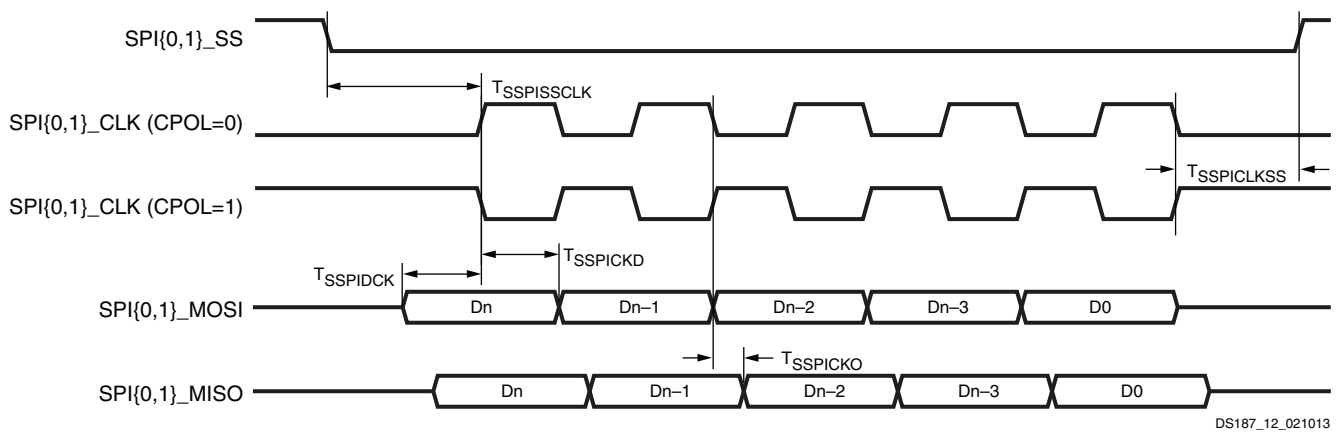


Figure 12: SPI Slave (CPHA = 0) Interface Timing Diagram

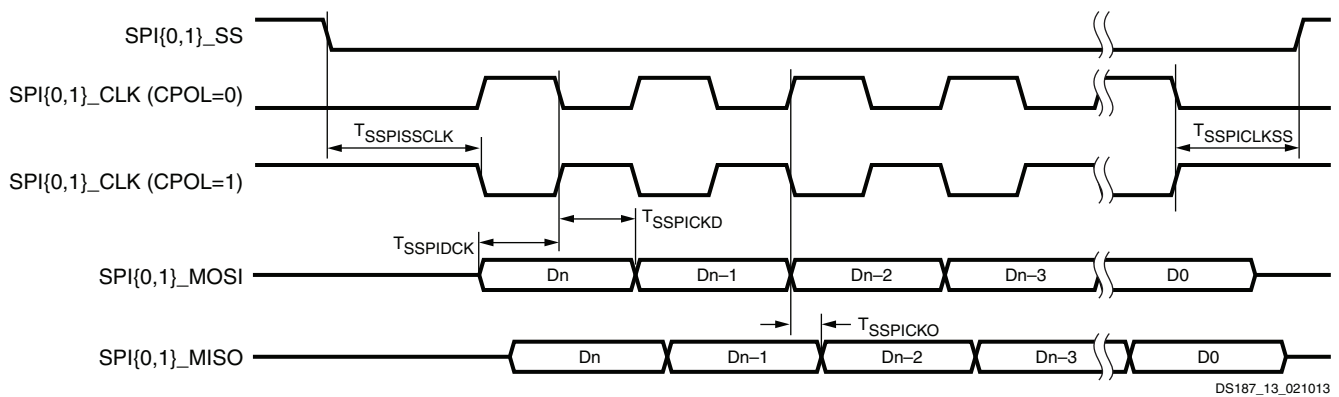


Figure 13: SPI Slave (CPHA = 1) Interface Timing Diagram

CAN Interfaces

 Table 38: CAN Interface Switching Characteristics⁽¹⁾

Symbol	Description	Min	Max	Units
$T_{PWCANRX}$	Minimum receive pulse width	1	–	μ s
$T_{PWCANTX}$	Minimum transmit pulse width	1	–	μ s
$F_{CAN_REF_CLK}$	Internally sourced CAN reference clock frequency	–	100	MHz
	Externally sourced CAN reference clock frequency	–	40	MHz

Notes:

1. Test conditions: LVCMOS33, slow slew rate, 8 mA drive strength, 15 pF loads.

PJTAG Interfaces

 Table 39: PJTAG Interface⁽¹⁾⁽²⁾

Symbol	Description	Min	Max	Units
$T_{PJTAGDCK}$	PJTAG input setup time	2.4	–	ns
$T_{PJTAGCKD}$	PJTAG input hold time	2.0	–	ns
$T_{PJTAGCKO}$	PJTAG clock to out delay	–	12.5	ns
$T_{PJTAGCLK}$	PJTAG clock frequency	–	20	MHz

Notes:

1. Test conditions: LVCMOS33, slow slew rate, 8 mA drive strength, 15 pF loads.
2. All timing values assume an ideal external input clock. Actual design system timing budgets should account for additional external clock jitter.

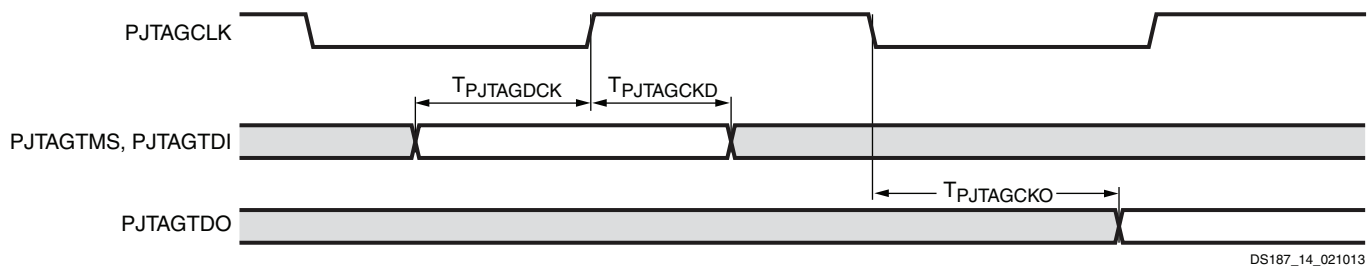


Figure 14: PJTAG Interface Timing Diagram

UART Interfaces

 Table 40: UART Interface Switching Characteristics⁽¹⁾

Symbol	Description	Min	Max	Units
$BAUD_{TXMAX}$	Maximum transmit baud rate	–	1	Mb/s
$BAUD_{RXMAX}$	Maximum receive baud rate	–	1	Mb/s
$F_{UART_REF_CLK}$	UART reference clock frequency	–	100	MHz

Notes:

1. Test conditions: LVCMOS33, slow slew rate, 8 mA drive strength, 15 pF loads.

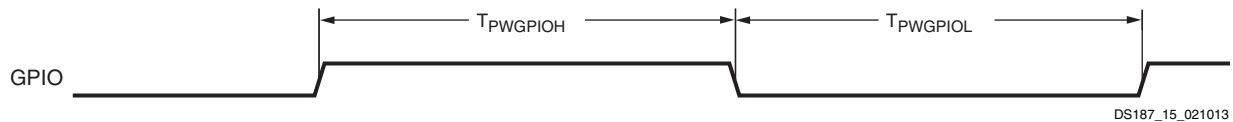
GPIO Interfaces

Table 41: GPIO Banks Switching Characteristics⁽¹⁾

Symbol	Description	Min	Max	Units
$T_{PWGPIOH}$	Input high pulse width	$10 \times 1/\text{cpu1x}$	–	μs
$T_{PWGPIOL}$	Input low pulse width	$10 \times 1/\text{cpu1x}$	–	μs

Notes:

1. Pulse width requirement for interrupt.


Figure 15: GPIO Interface Timing Diagram

Trace Interface

Table 42: Trace Interface Switching Characteristics⁽¹⁾

Symbol	Description	Min	Max	Units
T_{TCECKO}	Trace clock to output delay, all outputs	–1.4	1.5	ns
$T_{DCTCECLK}$	Trace clock duty cycle	40	60	%
F_{TCECLK}	Trace clock frequency	–	80	MHz

Notes:

1. Test conditions: LVCMOS25, fast slew rate, 8 mA drive strength, 15 pF loads.

Triple Timer Counter Interface

Table 43: Triple Timer Counter interface Switching Characteristics⁽¹⁾

Symbol	Description	Min	Max	Units
$T_{PWTTCOCLK}$	Triple time counter output clock pulse width	$2 \times 1/\text{cpu1x}$	–	ns
$F_{TTCOCLK}$	Triple time counter output clock frequency	–	$\text{cpu1x}/4$	MHz
$T_{TTCICLKH}$	Triple time counter input clock high pulse width	$1.5 \times 1/\text{cpu1x}$	–	ns
$T_{TTCICLKL}$	Triple time counter input clock low pulse width	$1.5 \times 1/\text{cpu1x}$	–	ns
$F_{TTCICLK}$	Triple time counter input clock frequency	–	$\text{cpu1x}/3$	MHz

Notes:

1. All timing values assume an ideal external input clock. Actual design system timing budgets should account for additional external clock jitter.

Watchdog Timer

Table 44: Watchdog Timer Switching Characteristics

Symbol	Description	Min	Max	Units
F_{WDTCLK}	Watchdog timer input clock frequency	–	10	MHz

PS-PL Interface

Table 45: PS-PL Interface Performance

Symbol	Description	Min	Typical	Max	Units
$F_{EMIOGEMCLK}$	EMIO gigabit Ethernet controller maximum frequency	–	–	125	MHz
$F_{EMIOSDCLK}$	EMIO SD controller maximum frequency	–	–	25	MHz
$F_{EMIOSPICLK}$	EMIO SPI controller maximum frequency	–	–	25	MHz
$F_{EMIOJTAGCLK}$	EMIO JTAG controller maximum frequency	–	–	20	MHz
$F_{EMIOTRACECLK}$	EMIO trace controller maximum frequency	–	–	125	MHz
F_{FTMCLK}	Fabric trace monitor maximum frequency	–	–	125	MHz
$F_{EMIODMACLK}$	DMA maximum frequency	–	–	100	MHz

PL Performance Characteristics

This section provides the performance characteristics of some common functions and designs implemented in the PL. The numbers reported here are worst-case values; they have all been fully characterized. These values are subject to the same guidelines as the [AC Switching Characteristics, page 11](#).

Table 46: PL Networking Applications Interface Performances

Description	Speed Grade			Units
	-3	-2	-1	
SDR LVDS transmitter (using OSERDES; DATA_WIDTH = 4 to 8)	680	680	600	Mb/s
DDR LVDS transmitter (using OSERDES; DATA_WIDTH = 4 to 14)	1250	1250	950	Mb/s
SDR LVDS receiver (SFI-4.1) ⁽¹⁾	680	680	600	Mb/s
DDR LVDS receiver (SFI-4.2) ⁽¹⁾	1250	1250	950	Mb/s

Notes:

1. LVDS receivers are typically bounded with certain applications where specific dynamic phase-alignment (DPA) algorithms dominate deterministic performance.

Table 47: PL Maximum Physical Interface (PHY) Rate for Memory Interfaces⁽¹⁾⁽²⁾

Memory Standard	Speed Grade			Units
	-3	-2	-1	
4:1 Memory Controllers				
DDR3	1066 ⁽³⁾	800	800	Mb/s
DDR3L	800	800	667	Mb/s
DDR2	800	800	667	Mb/s
LPDDR2	667	667	533	Mb/s
2:1 Memory Controllers				
DDR3	800	700	620	Mb/s
DDR3L	800	700	620	Mb/s
DDR2	800	700	620	Mb/s

Notes:

1. V_{REF} tracking is required. For more information, see [UG586, 7 Series FPGAs Memory Interface Solutions User Guide](#).
2. When using the internal V_{REF} the maximum data rate is 800 Mb/s (400 MHz).
3. The maximum PHY rate is 800 Mb/s in bank 13 of the XC7Z020 device.

PL Switching Characteristics

IOB Pad Input/Output/3-State

Table 48 summarizes the values of standard-specific data input delay adjustments, output delays terminating at pads (based on standard), and 3-state delays.

- T_{IOPi} is described as the delay from IOB pad through the input buffer to the I-pin of an IOB pad. The delay varies depending on the capability of the SelectIO input buffer.
- T_{IOPo} is described as the delay from the O pin to the IOB pad through the output buffer of an IOB pad. The delay varies depending on the capability of the SelectIO output buffer.
- T_{IOTp} is described as the delay from the T pin to the IOB pad through the output buffer of an IOB pad, when 3-state is disabled. The delay varies depending on the SelectIO capability of the output buffer. In HR I/O banks, the IN_TERM termination turn-on time is always faster than T_{IOTp} when the INTERMDISABLE pin is used.

Table 48: 3.3V IOB High Range (HR) Switching Characteristics

I/O Standard	T_{IOPi}			T_{IOPo}			T_{IOTp}			Units
	Speed Grade			Speed Grade			Speed Grade			
	-3	-2	-1	-3	-2	-1	-3	-2	-1	
LVTTL_S4	1.26	1.34	1.41	3.80	3.93	4.18	4.37	4.59	5.01	ns
LVTTL_S8	1.26	1.34	1.41	3.54	3.66	3.92	4.11	4.32	4.75	ns
LVTTL_S12	1.26	1.34	1.41	3.52	3.65	3.90	4.09	4.31	4.73	ns
LVTTL_S16	1.26	1.34	1.41	3.07	3.19	3.45	3.64	3.85	4.28	ns
LVTTL_S24	1.26	1.34	1.41	3.29	3.41	3.67	3.86	4.07	4.50	ns
LVTTL_F4	1.26	1.34	1.41	3.26	3.38	3.64	3.83	4.04	4.46	ns
LVTTL_F8	1.26	1.34	1.41	2.74	2.87	3.12	3.31	3.52	3.95	ns
LVTTL_F12	1.26	1.34	1.41	2.73	2.85	3.10	3.29	3.51	3.93	ns
LVTTL_F16	1.26	1.34	1.41	2.56	2.68	2.93	3.12	3.34	3.76	ns
LVTTL_F24	1.26	1.34	1.41	2.52	2.65	2.90	3.09	3.31	3.73	ns
LVDS_25	0.73	0.81	0.88	1.29	1.41	1.67	1.86	2.07	2.49	ns
MINI_LVDS_25	0.73	0.81	0.88	1.27	1.40	1.65	1.84	2.06	2.48	ns
BLVDS_25	0.73	0.81	0.88	1.84	1.96	2.21	2.40	2.62	3.04	ns
RSDS_25 (point to point)	0.73	0.81	0.88	1.27	1.40	1.65	1.84	2.06	2.48	ns
PPDS_25	0.73	0.81	0.88	1.29	1.41	1.67	1.86	2.07	2.49	ns
TMDS_33	0.73	0.81	0.88	1.41	1.54	1.79	1.98	2.20	2.62	ns
PCI33_3	1.24	1.32	1.39	3.10	3.22	3.48	3.67	3.88	4.31	ns
HSUL_12	0.67	0.75	0.82	1.81	1.93	2.18	2.37	2.59	3.01	ns
DIFF_HSUL_12	0.68	0.76	0.83	1.81	1.93	2.18	2.37	2.59	3.01	ns
HSTL_I_S	0.67	0.75	0.82	1.62	1.74	1.99	2.19	2.40	2.82	ns
HSTL_II_S	0.65	0.73	0.80	1.41	1.54	1.79	1.98	2.20	2.62	ns
HSTL_I_18_S	0.67	0.75	0.82	1.29	1.41	1.67	1.86	2.07	2.49	ns
HSTL_II_18_S	0.66	0.75	0.81	1.41	1.54	1.79	1.98	2.20	2.62	ns
DIFF_HSTL_I_S	0.68	0.76	0.83	1.59	1.71	1.96	2.15	2.37	2.79	ns
DIFF_HSTL_II_S	0.68	0.76	0.83	1.51	1.63	1.88	2.08	2.29	2.71	ns
DIFF_HSTL_I_18_S	0.71	0.79	0.86	1.38	1.51	1.76	1.95	2.17	2.59	ns
DIFF_HSTL_II_18_S	0.70	0.78	0.85	1.46	1.58	1.84	2.03	2.24	2.67	ns

Table 48: 3.3V IOB High Range (HR) Switching Characteristics (Cont'd)

I/O Standard	T _{IOP1}			T _{IOP}			T _{IOTP}			Units
	Speed Grade			Speed Grade			Speed Grade			
	-3	-2	-1	-3	-2	-1	-3	-2	-1	
HSTL_I_F	0.67	0.75	0.82	1.10	1.22	1.48	1.67	1.88	2.31	ns
HSTL_II_F	0.65	0.73	0.80	1.12	1.24	1.49	1.69	1.90	2.32	ns
HSTL_I_18_F	0.67	0.75	0.82	1.13	1.26	1.51	1.70	1.92	2.34	ns
HSTL_II_18_F	0.66	0.75	0.81	1.12	1.24	1.49	1.69	1.90	2.32	ns
DIFF_HSTL_I_F	0.68	0.76	0.83	1.18	1.30	1.56	1.75	1.96	2.39	ns
DIFF_HSTL_II_F	0.68	0.76	0.83	1.21	1.33	1.59	1.78	1.99	2.42	ns
DIFF_HSTL_I_18_F	0.71	0.79	0.86	1.21	1.33	1.59	1.78	1.99	2.42	ns
DIFF_HSTL_II_18_F	0.70	0.78	0.85	1.21	1.33	1.59	1.78	1.99	2.42	ns
LVC MOS33_S4	1.26	1.34	1.41	3.80	3.93	4.18	4.37	4.59	5.01	ns
LVC MOS33_S8	1.26	1.34	1.41	3.52	3.65	3.90	4.09	4.31	4.73	ns
LVC MOS33_S12	1.26	1.34	1.41	3.09	3.21	3.46	3.65	3.87	4.29	ns
LVC MOS33_S16	1.26	1.34	1.41	3.40	3.52	3.77	3.97	4.18	4.60	ns
LVC MOS33_F4	1.26	1.34	1.41	3.26	3.38	3.64	3.83	4.04	4.46	ns
LVC MOS33_F8	1.26	1.34	1.41	2.74	2.87	3.12	3.31	3.52	3.95	ns
LVC MOS33_F12	1.26	1.34	1.41	2.56	2.68	2.93	3.12	3.34	3.76	ns
LVC MOS33_F16	1.26	1.34	1.41	2.56	2.68	2.93	3.12	3.34	3.76	ns
LVC MOS25_S4	1.12	1.20	1.27	3.13	3.26	3.51	3.70	3.91	4.34	ns
LVC MOS25_S8	1.12	1.20	1.27	2.88	3.01	3.26	3.45	3.67	4.09	ns
LVC MOS25_S12	1.12	1.20	1.27	2.48	2.60	2.85	3.05	3.26	3.68	ns
LVC MOS25_S16	1.12	1.20	1.27	2.82	2.94	3.20	3.39	3.60	4.03	ns
LVC MOS25_F4	1.12	1.20	1.27	2.74	2.87	3.12	3.31	3.52	3.95	ns
LVC MOS25_F8	1.12	1.20	1.27	2.18	2.30	2.56	2.75	2.96	3.39	ns
LVC MOS25_F12	1.12	1.20	1.27	2.16	2.29	2.54	2.73	2.95	3.37	ns
LVC MOS25_F16	1.12	1.20	1.27	2.01	2.13	2.39	2.58	2.79	3.21	ns
LVC MOS18_S4	0.74	0.83	0.89	1.62	1.74	1.99	2.19	2.40	2.82	ns
LVC MOS18_S8	0.74	0.83	0.89	2.18	2.30	2.56	2.75	2.96	3.39	ns
LVC MOS18_S12	0.74	0.83	0.89	2.18	2.30	2.56	2.75	2.96	3.39	ns
LVC MOS18_S16	0.74	0.83	0.89	1.52	1.65	1.90	2.09	2.31	2.73	ns
LVC MOS18_S24	0.74	0.83	0.89	1.60	1.72	1.98	2.17	2.38	2.81	ns
LVC MOS18_F4	0.74	0.83	0.89	1.45	1.57	1.82	2.01	2.23	2.65	ns
LVC MOS18_F8	0.74	0.83	0.89	1.68	1.80	2.06	2.25	2.46	2.89	ns
LVC MOS18_F12	0.74	0.83	0.89	1.68	1.80	2.06	2.25	2.46	2.89	ns
LVC MOS18_F16	0.74	0.83	0.89	1.40	1.52	1.77	1.97	2.18	2.60	ns
LVC MOS18_F24	0.74	0.83	0.89	1.34	1.46	1.71	1.90	2.12	2.54	ns
LVC MOS15_S4	0.77	0.86	0.93	2.05	2.18	2.43	2.62	2.84	3.26	ns
LVC MOS15_S8	0.77	0.86	0.93	2.09	2.21	2.46	2.65	2.87	3.29	ns
LVC MOS15_S12	0.77	0.86	0.93	1.59	1.71	1.96	2.15	2.37	2.79	ns
LVC MOS15_S16	0.77	0.86	0.93	1.59	1.71	1.96	2.15	2.37	2.79	ns

Table 48: 3.3V IOB High Range (HR) Switching Characteristics (Cont'd)

I/O Standard	T_{IOP1}			T_{IOP}			T_{IOTP}			Units
	Speed Grade			Speed Grade			Speed Grade			
	-3	-2	-1	-3	-2	-1	-3	-2	-1	
LVC MOS15_F4	0.77	0.86	0.93	1.85	1.97	2.23	2.42	2.63	3.06	ns
LVC MOS15_F8	0.77	0.86	0.93	1.60	1.72	1.98	2.17	2.38	2.81	ns
LVC MOS15_F12	0.77	0.86	0.93	1.35	1.47	1.73	1.92	2.13	2.56	ns
LVC MOS15_F16	0.77	0.86	0.93	1.34	1.46	1.71	1.90	2.12	2.54	ns
LVC MOS12_S4	0.87	0.95	1.02	2.57	2.69	2.95	3.14	3.35	3.78	ns
LVC MOS12_S8	0.87	0.95	1.02	2.09	2.21	2.46	2.65	2.87	3.29	ns
LVC MOS12_S12	0.87	0.95	1.02	1.79	1.91	2.17	2.36	2.57	2.99	ns
LVC MOS12_F4	0.87	0.95	1.02	1.98	2.10	2.35	2.54	2.76	3.18	ns
LVC MOS12_F8	0.87	0.95	1.02	1.54	1.66	1.92	2.11	2.32	2.75	ns
LVC MOS12_F12	0.87	0.95	1.02	1.38	1.51	1.76	1.95	2.16	2.59	ns
SSTL135_S	0.67	0.75	0.82	1.35	1.47	1.73	1.92	2.13	2.56	ns
SSTL15_S	0.60	0.68	0.75	1.30	1.43	1.68	1.87	2.09	2.51	ns
SSTL18_I_S	0.67	0.75	0.82	1.67	1.79	2.04	2.23	2.45	2.87	ns
SSTL18_II_S	0.67	0.75	0.82	1.31	1.43	1.68	1.87	2.09	2.51	ns
DIFF_SSTL135_S	0.68	0.76	0.83	1.35	1.47	1.73	1.92	2.13	2.56	ns
DIFF_SSTL15_S	0.68	0.76	0.83	1.30	1.43	1.68	1.87	2.09	2.51	ns
DIFF_SSTL18_I_S	0.71	0.79	0.86	1.68	1.80	2.06	2.25	2.46	2.89	ns
DIFF_SSTL18_II_S	0.71	0.79	0.86	1.38	1.51	1.76	1.95	2.17	2.59	ns
SSTL135_F	0.67	0.75	0.82	1.12	1.24	1.49	1.69	1.90	2.32	ns
SSTL15_F	0.60	0.68	0.75	1.07	1.19	1.45	1.64	1.85	2.28	ns
SSTL18_I_F	0.67	0.75	0.82	1.12	1.24	1.49	1.69	1.90	2.32	ns
SSTL18_II_F	0.67	0.75	0.82	1.12	1.24	1.49	1.69	1.90	2.32	ns
DIFF_SSTL135_F	0.68	0.76	0.83	1.12	1.24	1.49	1.69	1.90	2.32	ns
DIFF_SSTL15_F	0.68	0.76	0.83	1.07	1.19	1.45	1.64	1.85	2.28	ns
DIFF_SSTL18_I_F	0.71	0.79	0.86	1.23	1.35	1.60	1.79	2.01	2.43	ns
DIFF_SSTL18_II_F	0.71	0.79	0.86	1.21	1.33	1.59	1.78	1.99	2.42	ns

Table 49 specifies the values of T_{IOTPHZ} and $T_{IOIBUFDISABLE}$. T_{IOTPHZ} is described as the delay from the T pin to the IOB pad through the output buffer of an IOB pad, when 3-state is enabled (i.e., a high impedance state). $T_{IOIBUFDISABLE}$ is described as the IOB delay from IBUFDISABLE to O output. In HR I/O banks, the internal IN_TERM termination turn-off time is always faster than T_{IOTPHZ} when the INTERMDISABLE pin is used.

Table 49: IOB 3-state Output Switching Characteristics

Symbol	Description	Speed Grade			Units
		-3	-2	-1	
T_{IOTPHZ}	T input to pad high-impedance	2.06	2.19	2.37	ns
$T_{IOIBUFDISABLE}$	IBUF turn-on time from IBUFDISABLE to O output	2.11	2.30	2.60	ns

Input/Output Logic Switching Characteristics

Table 50: ILOGIC Switching Characteristics

Symbol	Description	Speed Grade			Units
		-3	-2	-1	
Setup/Hold					
T_{ICE1CK}/T_{ICKCE1}	CE1 pin setup/hold with respect to CLK	0.48/0.02	0.54/0.02	0.76/0.02	ns
T_{ISRCK}/T_{ICKSR}	SR pin setup/hold with respect to CLK	0.60/0.01	0.70/0.01	1.13/0.01	ns
T_{IDOCK}/T_{IOCKD}	D pin setup/hold with respect to CLK without Delay	0.01/0.27	0.01/0.29	0.01/0.33	ns
T_{IDOCKD}/T_{IOCKDD}	DDLJ pin setup/hold with respect to CLK (using IDELAY)	0.02/0.27	0.02/0.29	0.02/0.33	ns
Combinatorial					
T_{IDI}	D pin to O pin propagation delay, no Delay	0.11	0.11	0.13	ns
T_{IDID}	DDLJ pin to O pin propagation delay (using IDELAY)	0.11	0.12	0.14	ns
Sequential Delays					
T_{IDLO}	D pin to Q1 pin using flip-flop as a latch without Delay	0.41	0.44	0.51	ns
T_{IDLOD}	DDLJ pin to Q1 pin using flip-flop as a latch (using IDELAY)	0.41	0.44	0.51	ns
T_{ICKQ}	CLK to Q outputs	0.53	0.57	0.66	ns
T_{RQ_ILOGIC}	SR pin to OQ/TQ out	0.96	1.08	1.32	ns
T_{GSRQ_ILOGIC}	Global set/reset to Q outputs	7.60	7.60	10.51	ns
Set/Reset					
T_{RPW_ILOGIC}	Minimum pulse width, SR inputs	0.61	0.72	0.72	ns, Min

Table 51: OLOGIC Switching Characteristics

Symbol	Description	Speed Grade			Units
		-3	-2	-1	
Setup/Hold					
T_{ODCK}/T_{OCKD}	D1/D2 pins setup/hold with respect to CLK	0.67/-0.11	0.71/-0.11	0.84/-0.11	ns
T_{OOCECK}/T_{OCKOCE}	OCE pin setup/hold with respect to CLK	0.32/0.58	0.34/0.58	0.51/0.58	ns
T_{OSRCK}/T_{OCKSR}	SR pin setup/hold with respect to CLK	0.37/0.21	0.44/0.21	0.80/0.21	ns
T_{OTCK}/T_{OCKT}	T1/T2 pins setup/hold with respect to CLK	0.69/-0.14	0.73/-0.14	0.89/-0.14	ns
T_{OTCECK}/T_{OCKTCE}	TCE pin setup/hold with respect to CLK	0.32/0.01	0.34/0.01	0.51/0.01	ns
Combinatorial					
T_{ODQ}	D1 to OQ out or T1 to TQ out	0.83	0.96	1.16	ns
Sequential Delays					
T_{OCKQ}	CLK to OQ/TQ out	0.47	0.49	0.56	ns
T_{RQ_OLOGIC}	SR pin to OQ/TQ out	0.72	0.80	0.95	ns
T_{GSRQ_OLOGIC}	Global set/reset to Q outputs	7.60	7.60	10.51	ns
Set/Reset					
T_{RPW_OLOGIC}	Minimum pulse width, SR inputs	0.64	0.74	0.74	ns, Min

Input Serializer/Deserializer Switching Characteristics

Table 52: ISERDES Switching Characteristics

Symbol	Description	Speed Grade			Units
		-3	-2	-1	
Setup/Hold for Control Lines					
$T_{ISCK_BITSLIP} / T_{ISCKC_BITSLIP}$	BITSLIP pin setup/hold with respect to CLKDIV	0.01/0.14	0.02/0.15	0.02/0.17	ns
$T_{ISCK_CE} / T_{ISCKC_CE}^{(2)}$	CE pin setup/hold with respect to CLK (for CE1)	0.45/-0.01	0.50/-0.01	0.72/-0.01	ns
$T_{ISCK_CE2} / T_{ISCKC_CE2}^{(2)}$	CE pin setup/hold with respect to CLKDIV (for CE2)	-0.10/0.33	-0.10/0.36	-0.10/0.40	ns
Setup/Hold for Data Lines					
$T_{ISDCK_D} / T_{ISCKD_D}$	D pin setup/hold with respect to CLK	-0.02/0.12	-0.02/0.14	-0.02/0.17	ns
$T_{ISDCK_DDL} / T_{ISCKD_DDL}^{(1)}$	DDL pin setup/hold with respect to CLK (using IDELAY) ⁽¹⁾	-0.02/0.12	-0.02/0.14	-0.02/0.17	ns
$T_{ISDCK_D_DDR} / T_{ISCKD_D_DDR}$	D pin setup/hold with respect to CLK at DDR mode	-0.02/0.12	-0.02/0.14	-0.02/0.17	ns
$T_{ISDCK_DDL_DDR} / T_{ISCKD_DDL_DDR}^{(1)}$	D pin setup/hold with respect to CLK at DDR mode (using IDELAY) ⁽¹⁾	0.12/0.12	0.14/0.14	0.17/0.17	ns
Sequential Delays					
T_{ISCKO_Q}	CLKDIV to out at Q pin	0.53	0.54	0.66	ns
Propagation Delays					
T_{ISDO_DO}	D input to DO output pin	0.11	0.11	0.13	ns

Notes:

- Recorded at 0 tap value.
- T_{ISCK_CE2} and T_{ISCKC_CE2} are reported as $T_{ISCK_CE} / T_{ISCKC_CE}$ in TRACE report.

Output Serializer/Deserializer Switching Characteristics

Table 53: OSERDES Switching Characteristics

Symbol	Description	Speed Grade			Units
		-3	-2	-1	
Setup/Hold					
$T_{OSDCK_D} / T_{OSCKD_D}$	D input setup/hold with respect to CLKDIV	0.42/0.03	0.45/0.03	0.63/0.03	ns
$T_{OSDCK_T} / T_{OSCKD_T}^{(1)}$	T input setup/hold with respect to CLK	0.69/-0.13	0.73/-0.13	0.88/-0.13	ns
$T_{OSDCK_T2} / T_{OSCKD_T2}^{(1)}$	T input setup/hold with respect to CLKDIV	0.31/-0.13	0.34/-0.13	0.39/-0.13	ns
$T_{OSCK_OCE} / T_{OSCKC_OCE}$	OCE input setup/hold with respect to CLK	0.32/0.58	0.34/0.58	0.51/0.58	ns
T_{OSCK_S}	SR (reset) input setup with respect to CLKDIV	0.47	0.52	0.85	ns
$T_{OSCK_TCE} / T_{OSCKC_TCE}$	TCE input setup/hold with respect to CLK	0.32/0.01	0.34/0.01	0.51/0.01	ns
Sequential Delays					
T_{OSCKO_OQ}	Clock to out from CLK to OQ	0.40	0.42	0.48	ns
T_{OSCKO_TQ}	Clock to out from CLK to TQ	0.47	0.49	0.56	ns
Combinatorial					
T_{OSDO_TQ}	T input to TQ out	0.83	0.92	1.11	ns

Notes:

- T_{OSDCK_T2} and T_{OSCKD_T2} are reported as $T_{OSDCK_T} / T_{OSCKD_T}$ in TRACE report.

Input Delay Switching Characteristics

Table 54: Input Delay Switching Characteristics

Symbol	Description	Speed Grade			Units
		-3	-2	-1	
IDELAYCTRL					
T _{DLYCCO_RDY}	Reset to ready for IDELAYCTRL	3.67	3.67	3.67	μs
F _{IDELAYCTRL_REF}	Attribute REFCLK frequency = 200.0 ⁽¹⁾	200	200	200	MHz
	Attribute REFCLK frequency = 300.0 ⁽¹⁾	300	300	N/A	MHz
IDELAYCTRL_REF_PRECISION	REFCLK precision	±10	±10	±10	MHz
T _{IDELAYCTRL_RPW}	Minimum reset pulse width	59.28	59.28	59.28	ns
IDELAY					
T _{IDELAYRESOLUTION}	IDELAY chain delay resolution	1/(32 x 2 x F _{REF})			ps
T _{IDELAYPAT_JIT}	Pattern dependent period jitter in delay chain for clock pattern. ⁽²⁾	0	0	0	ps per tap
	Pattern dependent period jitter in delay chain for random data pattern (PRBS 23) ⁽³⁾	±5	±5	±5	ps per tap
	Pattern dependent period jitter in delay chain for random data pattern (PRBS 23) ⁽⁴⁾	±9	±9	±9	ps per tap
T _{IDELAY_CLK_MAX}	Maximum frequency of CLK input to IDELAY	680.00	680.00	600.00	MHz
T _{IDCCK_CE} / T _{IDCKC_CE}	CE pin setup/hold with respect to C for IDELAY	0.12/0.11	0.16/0.13	0.21/0.16	ns
T _{IDCCK_INC} / T _{IDCKC_INC}	INC pin setup/hold with respect to C for IDELAY	0.12/0.16	0.14/0.18	0.16/0.22	ns
T _{IDCCK_RST} / T _{IDCKC_RST}	RST pin setup/hold with respect to C for IDELAY	0.15/0.09	0.16/0.11	0.18/0.14	ns
T _{IDDO_IDATAIN}	Propagation delay through IDELAY	Note 5	Note 5	Note 5	ps

Notes:

1. Average tap delay at 200 MHz = 78 ps, at 300 MHz = 52 ps.
2. When HIGH_PERFORMANCE mode is set to TRUE or FALSE.
3. When HIGH_PERFORMANCE mode is set to TRUE.
4. When HIGH_PERFORMANCE mode is set to FALSE.
5. Delay depends on IDELAY tap setting. See TRACE report for actual values.

Table 55: IO_FIFO Switching Characteristics

Symbol	Description	Speed Grade			Units
		-3	-2	-1	
IO_FIFO Clock to Out Delays					
T _{OFFCKO_DO}	RDCLK to Q outputs	0.55	0.60	0.68	ns
T _{CKO_FLAGS}	Clock to IO_FIFO flags	0.55	0.61	0.77	ns
Setup/Hold					
T _{CCK_D} /T _{CKC_D}	D inputs to WRCLK	0.47/0.02	0.51/0.02	0.58/0.02	ns
T _{IFFCK_WREN} / T _{IFFCKC_WREN}	WREN to WRCLK	0.42/-0.01	0.47/-0.01	0.53/-0.01	ns
T _{OFFCK_RDEN} / T _{OFFCKC_RDEN}	RDEN to RDCLK	0.53/0.02	0.58/0.02	0.66/0.02	ns
Minimum Pulse Width					
T _{PWH_IO_FIFO}	RESET, RDCLK, WRCLK	1.62	2.15	2.15	ns
T _{PWL_IO_FIFO}	RESET, RDCLK, WRCLK	1.62	2.15	2.15	ns
Maximum Frequency					
F _{MAX}	RDCLK and WRCLK	266.67	200.00	200.00	MHz

CLB Switching Characteristics

Table 56: CLB Switching Characteristics

Symbol	Description	Speed Grade			Units
		-3	-2	-1	
Combinatorial Delays					
T_{ILO}	An – Dn LUT address to A	0.10	0.11	0.13	ns, Max
T_{ILO_2}	An – Dn LUT address to AMUX/CMUX	0.27	0.30	0.36	ns, Max
T_{ILO_3}	An – Dn LUT address to BMUX_A	0.42	0.46	0.55	ns, Max
T_{ITO}	An – Dn inputs to A – D Q outputs	0.94	1.05	1.27	ns, Max
T_{AXA}	AX inputs to AMUX output	0.62	0.69	0.84	ns, Max
T_{AXB}	AX inputs to BMUX output	0.58	0.66	0.83	ns, Max
T_{AXC}	AX inputs to CMUX output	0.60	0.68	0.82	ns, Max
T_{AXD}	AX inputs to DMUX output	0.68	0.75	0.90	ns, Max
T_{BXB}	BX inputs to BMUX output	0.51	0.57	0.69	ns, Max
T_{BXD}	BX inputs to DMUX output	0.62	0.69	0.82	ns, Max
T_{CXC}	CX inputs to CMUX output	0.42	0.48	0.58	ns, Max
T_{CXD}	CX inputs to DMUX output	0.53	0.59	0.71	ns, Max
T_{DXD}	DX inputs to DMUX output	0.52	0.58	0.70	ns, Max
Sequential Delays					
T_{CKO}	Clock to AQ – DQ outputs	0.40	0.44	0.53	ns, Max
T_{SHCKO}	Clock to AMUX – DMUX outputs	0.47	0.53	0.66	ns, Max
Setup and Hold Times of CLB Flip-Flops Before/After Clock CLK					
T_{AS}/T_{AH}	$A_N – D_N$ input to CLK on A – D flip-flops	0.07/0.12	0.09/0.14	0.11/0.18	ns, Min
T_{DICK}/T_{CKDI}	$A_X – D_X$ input to CLK on A – D flip-flops	0.06/0.19	0.07/0.21	0.09/0.26	ns, Min
	$A_X – D_X$ input through MUXs and/or carry logic to CLK on A – D flip-flops	0.59/0.08	0.66/0.09	0.81/0.11	ns, Min
$T_{CECK_CLB}/T_{CKCE_CLB}$	CE input to CLK on A – D flip-flops	0.15/0.00	0.17/0.00	0.21/0.01	ns, Min
T_{SRCK}/T_{CKSR}	SR input to CLK on A – D flip-flops	0.38/0.03	0.43/0.04	0.53/0.05	ns, Min
Set/Reset					
T_{SRMIN}	SR input minimum pulse width	0.52	0.78	1.04	ns, Min
T_{RQ}	Delay from SR input to AQ – DQ flip-flops	0.53	0.59	0.71	ns, Max
T_{CEO}	Delay from CE input to AQ – DQ flip-flops	0.52	0.58	0.70	ns, Max
F_{TOG}	Toggle frequency (for export control)	1412	1286	1098	MHz

Notes:

1. A Zero “0” hold time listing indicates no hold time or a negative hold time.
2. These items are of interest for carry-chain applications.

CLB Distributed RAM Switching Characteristics (SLICEM Only)

Table 57: CLB Distributed RAM Switching Characteristics

Symbol	Description	Speed Grade			Units
		-3	-2	-1	
Sequential Delays					
T_{SHCKO}	Clock to A – B outputs	0.98	1.09	1.32	ns, Max
T_{SHCKO_1}	Clock to AMUX – BMUX outputs	1.37	1.53	1.86	ns, Max
Setup and Hold Times Before/After Clock CLK					
$T_{DS_LDRAM}/T_{DH_LDRAM}$	A – D inputs to CLK	0.54/0.28	0.60/0.30	0.72/0.35	ns, Min
$T_{AS_LDRAM}/T_{AH_LDRAM}$	Address An inputs to clock	0.27/0.55	0.30/0.60	0.37/0.70	ns, Min
	Address An inputs through MUXs and/or carry logic to clock	0.69/0.18	0.77/0.21	0.94/0.26	ns, Min
$T_{WS_LDRAM}/T_{WH_LDRAM}$	WE input to clock	0.38/0.10	0.43/0.12	0.53/0.17	ns, Min
$T_{CECK_LDRAM}/T_{CKCE_LDRAM}$	CE input to CLK	0.39/0.10	0.44/0.11	0.53/0.17	ns, Min
Clock CLK					
T_{MPW_LDRAM}	Minimum pulse width	1.05	1.13	1.25	ns, Min
T_{MCP}	Minimum clock period	2.10	2.26	2.50	ns, Min

Notes:

1. A Zero “0” hold time listing indicates no hold time or a negative hold time.
2. T_{SHCKO} also represents the CLK to XMUX output. Refer to TRACE report for the CLK to XMUX path.

CLB Shift Register Switching Characteristics (SLICEM Only)

Table 58: CLB Shift Register Switching Characteristics

Symbol	Description	Speed Grade			Units
		-3	-2	-1	
Sequential Delays					
T_{REG}	Clock to A – D outputs	1.19	1.33	1.61	ns, Max
T_{REG_MUX}	Clock to AMUX – DMUX output	1.58	1.77	2.15	ns, Max
T_{REG_M31}	Clock to DMUX output via M31 output	1.12	1.23	1.46	ns, Max
Setup and Hold Times Before/After Clock CLK					
$T_{WS_SHFREG}/T_{WH_SHFREG}$	WE input	0.37/0.10	0.41/0.12	0.51/0.17	ns, Min
$T_{CECK_SHFREG}/T_{CKCE_SHFREG}$	CE input to CLK	0.37/0.10	0.42/0.11	0.52/0.17	ns, Min
$T_{DS_SHFREG}/T_{DH_SHFREG}$	A – D inputs to CLK	0.33/0.34	0.37/0.37	0.44/0.43	ns, Min
Clock CLK					
T_{MPW_SHFREG}	Minimum pulse width	0.77	0.86	0.98	ns, Min

Notes:

1. A Zero “0” hold time listing indicates no hold time or a negative hold time.

Block RAM and FIFO Switching Characteristics

Table 59: Block RAM and FIFO Switching Characteristics

Symbol	Description	Speed Grade			Units
		-3	-2	-1	
Block RAM and FIFO Clock to Out Delays					
T_{RCKO_DO} and $T_{RCKO_DO_REG}^{(1)}$	Clock CLK to DOUT output (without output register) ⁽²⁾⁽³⁾	1.85	2.13	2.46	ns, Max
	Clock CLK to DOUT output (with output register) ⁽⁴⁾⁽⁵⁾	0.64	0.74	0.89	ns, Max
$T_{RCKO_DO_ECC}$ and $T_{RCKO_DO_ECC_REG}$	Clock CLK to DOUT output with ECC (without output register) ⁽²⁾⁽³⁾	2.77	3.04	3.84	ns, Max
	Clock CLK to DOUT output with ECC (with output register) ⁽⁴⁾⁽⁵⁾	0.73	0.81	0.94	ns, Max
$T_{RCKO_DO_CASCOU}$ and $T_{RCKO_DO_CASCOU_REG}$	Clock CLK to DOUT output with cascade (without output register) ⁽²⁾	2.61	2.88	3.30	ns, Max
	Clock CLK to DOUT output with cascade (with output register) ⁽⁴⁾	1.16	1.28	1.46	ns, Max
T_{RCKO_FLAGS}	Clock CLK to FIFO flags outputs ⁽⁶⁾	0.76	0.87	1.05	ns, Max
$T_{RCKO_POINTERS}$	Clock CLK to FIFO pointers outputs ⁽⁷⁾	0.94	1.02	1.15	ns, Max
$T_{RCKO_PARITY_ECC}$	Clock CLK to ECCPARITY in ECC encode only mode	0.78	0.85	0.94	ns, Max
$T_{RCKO_SDBIT_ECC}$ and $T_{RCKO_SDBIT_ECC_REG}$	Clock CLK to BITERR (without output register)	2.56	2.81	3.55	ns, Max
	Clock CLK to BITERR (with output register)	0.68	0.76	0.89	ns, Max
$T_{RCKO_RDADDR_ECC}$ and $T_{RCKO_RDADDR_ECC_REG}$	Clock CLK to RDADDR output with ECC (without output register)	0.75	0.88	1.07	ns, Max
	Clock CLK to RDADDR output with ECC (with output register)	0.84	0.93	1.08	ns, Max
Setup and Hold Times Before/After Clock CLK					
$T_{RCKC_ADDR}/T_{RCKC_ADDR}$	ADDR inputs ⁽⁸⁾	0.45/0.31	0.49/0.33	0.57/0.36	ns, Min
$T_{RDCK_DI_WF_NC}/T_{RDCK_DI_WF_NC}$	Data input setup/hold time when block RAM is configured in WRITE_FIRST or NO_CHANGE mode ⁽⁹⁾	0.58/0.60	0.65/0.63	0.74/0.67	ns, Min
$T_{RDCK_DI_RF}/T_{RDCK_DI_RF}$	Data input setup/hold time when block RAM is configured in READ_FIRST mode ⁽⁹⁾	0.20/0.29	0.22/0.34	0.25/0.41	ns, Min
$T_{RDCK_DI_ECC}/T_{RDCK_DI_ECC}$	DIN inputs with block RAM ECC in standard mode ⁽⁹⁾	0.50/0.43	0.55/0.46	0.63/0.50	ns, Min
	DIN inputs with block RAM ECC encode only ⁽⁹⁾	0.93/0.43	1.02/0.46	1.17/0.50	ns, Min
	DIN inputs with FIFO ECC in standard mode ⁽⁹⁾	1.04/0.56	1.15/0.59	1.32/0.64	ns, Min
$T_{RCKC_INJECTBITERR}/T_{RCKC_INJECTBITERR}$	Inject single/double bit error in ECC mode	0.58/0.35	0.64/0.37	0.74/0.40	ns, Min
$T_{RCKC_RDEN}/T_{RCKC_RDEN}$	Block RAM enable (EN) input	0.35/0.20	0.39/0.21	0.45/0.23	ns, Min
$T_{RCKC_REGCE}/T_{RCKC_REGCE}$	CE input of output register	0.24/0.15	0.29/0.15	0.36/0.16	ns, Min
$T_{RCKC_RSTREG}/T_{RCKC_RSTREG}$	Synchronous RSTREG input	0.29/0.07	0.32/0.07	0.35/0.07	ns, Min
$T_{RCKC_RSTRAM}/T_{RCKC_RSTRAM}$	Synchronous RSTRAM input	0.32/0.42	0.34/0.43	0.36/0.46	ns, Min
$T_{RCKC_WEA}/T_{RCKC_WEA}$	Write enable (WE) input (block RAM only)	0.44/0.18	0.48/0.19	0.54/0.20	ns, Min
$T_{RCKC_WREN}/T_{RCKC_WREN}$	WREN FIFO inputs	0.46/0.30	0.46/0.35	0.47/0.43	ns, Min
$T_{RCKC_RDEN}/T_{RCKC_RDEN}$	RDEN FIFO inputs	0.42/0.30	0.43/0.35	0.43/0.43	ns, Min

Table 59: Block RAM and FIFO Switching Characteristics (Cont'd)

Symbol	Description	Speed Grade			Units
		-3	-2	-1	
Reset Delays					
T_{RCKO_FLAGS}	Reset RST to FIFO flags/pointers ⁽¹⁰⁾	0.90	0.98	1.10	ns, Max
$T_{RREC_RST}/T_{RREM_RST}$	FIFO reset recovery and removal timing ⁽¹¹⁾	1.87/-0.81	2.07/-0.81	2.37/-0.81	ns, Max
Maximum Frequency					
$F_{MAX_BRAM_WF_NC}$	Block RAM (write first and no change modes) When not in SDP RF mode.	509.68	460.83	388.20	MHz
$F_{MAX_BRAM_RF_PERFORMANCE}$	Block RAM (read first, performance mode) When in SDP RF mode but no address overlap between port A and port B.	509.68	460.83	388.20	MHz
$F_{MAX_BRAM_RF_DELAYED_WRITE}$	Block RAM (read first, delayed write mode) When in SDP RF mode and there is possibility of overlap between port A and port B addresses.	447.63	404.53	339.67	MHz
$F_{MAX_CAS_WF_NC}$	Block RAM cascade (write first, no change mode) When cascade but not in RF mode.	467.07	418.59	345.78	MHz
$F_{MAX_CAS_RF_PERFORMANCE}$	Block RAM cascade (read first, performance mode) When in cascade with RF mode and no possibility of address overlap/one port is disabled.	467.07	418.59	345.78	MHz
$F_{MAX_CAS_RF_DELAYED_WRITE}$	When in cascade RF mode and there is a possibility of address overlap between port A and port B.	405.35	362.19	297.35	MHz
F_{MAX_FIFO}	FIFO in all modes without ECC	509.68	460.83	388.20	MHz
F_{MAX_ECC}	Block RAM and FIFO in ECC configuration	410.34	365.10	297.53	MHz

Notes:

- TRACE will report all of these parameters as T_{RCKO_DO} .
- T_{RCKO_DOR} includes T_{RCKO_DOW} , T_{RCKO_DOPR} , and T_{RCKO_DOPW} as well as the B port equivalent timing parameters.
- These parameters also apply to synchronous FIFO with $DO_REG = 0$.
- T_{RCKO_DO} includes T_{RCKO_DOP} as well as the B port equivalent timing parameters.
- These parameters also apply to multirate (asynchronous) and synchronous FIFO with $DO_REG = 1$.
- T_{RCKO_FLAGS} includes the following parameters: T_{RCKO_AEMPTY} , T_{RCKO_AFULL} , T_{RCKO_EMPTY} , T_{RCKO_FULL} , T_{RCKO_RDERR} , and T_{RCKO_WRERR} .
- $T_{RCKO_POINTERS}$ includes both $T_{RCKO_RDCOUNT}$ and $T_{RCKO_WRCOUNT}$.
- The ADDR setup and hold must be met when EN is asserted (even when WE is deasserted). Otherwise, block RAM data corruption is possible.
- These parameters include both A and B inputs as well as the parity inputs of A and B.
- T_{RCKO_FLAGS} includes the following flags: AEMPTY, AFULL, EMPTY, FULL, RDERR, WRERR, RDCOUNT, and WRCOUNT.
- RDEN and WREN must be held Low prior to and during reset. The FIFO reset must be asserted for at least five positive clock edges of the slowest clock (WRCLK or RDCLK).

DSP48E1 Switching Characteristics

Table 60: DSP48E1 Switching Characteristics

Symbol	Description	Speed Grade			Units
		-3	-2	-1	
Setup and Hold Times of Data/Control Pins to the Input Register Clock					
$T_{\text{DSPDCK_A_AREG}}/T_{\text{DSPCKD_A_AREG}}$	A input to A register CLK	0.26/0.12	0.30/0.13	0.37/0.14	ns
$T_{\text{DSPDCK_B_BREG}}/T_{\text{DSPCKD_B_BREG}}$	B input to B register CLK	0.33/0.15	0.38/0.16	0.45/0.18	ns
$T_{\text{DSPDCK_C_CREG}}/T_{\text{DSPCKD_C_CREG}}$	C input to C register CLK	0.17/0.17	0.20/0.19	0.24/0.21	ns
$T_{\text{DSPDCK_D_DREG}}/T_{\text{DSPCKD_D_DREG}}$	D input to D register CLK	0.25/0.25	0.32/0.27	0.42/0.27	ns
$T_{\text{DSPDCK_ACIN_AREG}}/T_{\text{DSPCKD_ACIN_AREG}}$	ACIN input to A register CLK	0.23/0.12	0.27/0.13	0.32/0.14	ns
$T_{\text{DSPDCK_BCIN_BREG}}/T_{\text{DSPCKD_BCIN_BREG}}$	BCIN input to B register CLK	0.25/0.15	0.29/0.16	0.36/0.18	ns
Setup and Hold Times of Data Pins to the Pipeline Register Clock					
$T_{\text{DSPDCK_}\{A, B\}_MREG_MULT}/T_{\text{DSPCKD_B_MREG_MULT}}$	{A, B,} input to M register CLK using multiplier	2.40/–0.01	2.76/–0.01	3.29/–0.01	ns
$T_{\text{DSPDCK_}\{A, B\}_ADREG}/T_{\text{DSPCKD_D_ADREG}}$	{A, D} input to AD register CLK	1.29/–0.02	1.48/–0.02	1.76/–0.02	ns
Setup and Hold Times of Data/Control Pins to the Output Register Clock					
$T_{\text{DSPDCK_}\{A, B\}_PREG_MULT}/T_{\text{DSPCKD_}\{A, B\}_PREG_MULT}$	{A, B} input to P register CLK using multiplier	4.02/–0.28	4.60/–0.28	5.48/–0.28	ns
$T_{\text{DSPDCK_D_PREG_MULT}}/T_{\text{DSPCKD_D_PREG_MULT}}$	D input to P register CLK using multiplier	3.93/–0.73	4.50/–0.73	5.35/–0.73	ns
$T_{\text{DSPDCK_}\{A, B\}_PREG}/T_{\text{DSPCKD_}\{A, B\}_PREG}$	A or B input to P register CLK not using multiplier	1.73/–0.28	1.98/–0.28	2.35/–0.28	ns
$T_{\text{DSPDCK_C_PREG}}/T_{\text{DSPCKD_C_PREG}}$	C input to P register CLK not using multiplier	1.54/–0.26	1.76/–0.26	2.10/–0.26	ns
$T_{\text{DSPDCK_PCIN_PREG}}/T_{\text{DSPCKD_PCIN_PREG}}$	PCIN input to P register CLK	1.32/–0.15	1.51/–0.15	1.80/–0.15	ns
Setup and Hold Times of the CE Pins					
$T_{\text{DSPDCK_}\{CEA;CEB\}_AREG;BREG}/T_{\text{DSPCKD_}\{CEA;CEB\}_AREG;BREG}$	{CEA; CEB} input to {A; B} register CLK	0.35/0.06	0.42/0.08	0.52/0.11	ns
$T_{\text{DSPDCK_CEC_CREG}}/T_{\text{DSPCKD_CEC_CREG}}$	CEC input to C register CLK	0.28/0.10	0.34/0.11	0.42/0.13	ns
$T_{\text{DSPDCK_CED_DREG}}/T_{\text{DSPCKD_CED_DREG}}$	CED input to D register CLK	0.36/–0.03	0.43/–0.03	0.52/–0.03	ns
$T_{\text{DSPDCK_CEM_MREG}}/T_{\text{DSPCKD_CEM_MREG}}$	CEM input to M register CLK	0.17/0.18	0.21/0.20	0.27/0.23	ns
$T_{\text{DSPDCK_CEP_PREG}}/T_{\text{DSPCKD_CEP_PREG}}$	CEP input to P register CLK	0.36/0.01	0.43/0.01	0.53/0.01	ns
Setup and Hold Times of the RST Pins					
$T_{\text{DSPDCK_}\{RSTA; RSTB\}_AREG; BREG}/T_{\text{DSPCKD_}\{RSTA; RSTB\}_AREG; BREG}$	{RSTA, RSTB} input to {A, B} register CLK	0.41/0.11	0.46/0.13	0.55/0.15	ns
$T_{\text{DSPDCK_RSTC_CREG}}/T_{\text{DSPCKD_RSTC_CREG}}$	RSTC input to C register CLK	0.07/0.10	0.08/0.11	0.09/0.12	ns
$T_{\text{DSPDCK_RSTD_DREG}}/T_{\text{DSPCKD_RSTD_DREG}}$	RSTD input to D register CLK	0.44/0.07	0.50/0.08	0.59/0.09	ns
$T_{\text{DSPDCK_RSTM_MREG}}/T_{\text{DSPCKD_RSTM_MREG}}$	RSTM input to M register CLK	0.21/0.22	0.23/0.24	0.27/0.28	ns
$T_{\text{DSPDCK_RSTP_PREG}}/T_{\text{DSPCKD_RSTP_PREG}}$	RSTP input to P register CLK	0.27/0.01	0.30/0.01	0.35/0.01	ns

Table 60: DSP48E1 Switching Characteristics (Cont'd)

Symbol	Description	Speed Grade			Units
		-3	-2	-1	
Combinatorial Delays from Input Pins to Output Pins					
$T_{\text{DSPDO_A_CARRYOUT_MULT}}$	A input to CARRYOUT output using multiplier	3.79	4.35	5.18	ns
$T_{\text{DSPDO_D_P_MULT}}$	D input to P output using multiplier	3.72	4.26	5.07	ns
$T_{\text{DSPDO_B_P}}$	B input to P output not using multiplier	1.53	1.75	2.08	ns
$T_{\text{DSPDO_C_P}}$	C input to P output	1.33	1.53	1.82	ns
Combinatorial Delays from Input Pins to Cascading Output Pins					
$T_{\text{DSPDO_}\{A; B\}_}\{ACOUT; BCOUT\}$	{A, B} input to {ACOUT, BCOUT} output	0.55	0.63	0.74	ns
$T_{\text{DSPDO_}\{A, B\}_}\text{CARRYCASCOUT_MULT}$	{A, B} input to CARRYCASCOUT output using multiplier	4.06	4.65	5.54	ns
$T_{\text{DSPDO_D_CARRYCASCOUT_MULT}}$	D input to CARRYCASCOUT output using multiplier	3.97	4.54	5.40	ns
$T_{\text{DSPDO_}\{A, B\}_}\text{CARRYCASCOUT}$	{A, B} input to CARRYCASCOUT output not using multiplier	1.77	2.03	2.41	ns
$T_{\text{DSPDO_C_CARRYCASCOUT}}$	C input to CARRYCASCOUT output	1.58	1.81	2.15	ns
Combinatorial Delays from Cascading Input Pins to All Output Pins					
$T_{\text{DSPDO_ACIN_P_MULT}}$	ACIN input to P output using multiplier	3.65	4.19	5.00	ns
$T_{\text{DSPDO_ACIN_P}}$	ACIN input to P output not using multiplier	1.37	1.57	1.88	ns
$T_{\text{DSPDO_ACIN_ACOUT}}$	ACIN input to ACOUT output	0.38	0.44	0.53	ns
$T_{\text{DSPDO_ACIN_CARRYCASCOUT_MULT}}$	ACIN input to CARRYCASCOUT output using multiplier	3.90	4.47	5.33	ns
$T_{\text{DSPDO_ACIN_CARRYCASCOUT}}$	ACIN input to CARRYCASCOUT output not using multiplier	1.61	1.85	2.21	ns
$T_{\text{DSPDO_PCIN_P}}$	PCIN input to P output	1.11	1.28	1.52	ns
$T_{\text{DSPDO_PCIN_CARRYCASCOUT}}$	PCIN input to CARRYCASCOUT output	1.36	1.56	1.85	ns
Clock to Outs from Output Register Clock to Output Pins					
$T_{\text{DSPCKO_P_PREG}}$	CLK PREG to P output	0.33	0.37	0.44	ns
$T_{\text{DSPCKO_CARRYCASCOUT_PREG}}$	CLK PREG to CARRYCASCOUT output	0.52	0.59	0.69	ns
Clock to Outs from Pipeline Register Clock to Output Pins					
$T_{\text{DSPCKO_P_MREG}}$	CLK MREG to P output	1.68	1.93	2.31	ns
$T_{\text{DSPCKO_CARRYCASCOUT_MREG}}$	CLK MREG to CARRYCASCOUT output	1.92	2.21	2.64	ns
$T_{\text{DSPCKO_P_ADREG_MULT}}$	CLK ADREG to P output using multiplier	2.72	3.10	3.69	ns
$T_{\text{DSPCKO_CARRYCASCOUT_ADREG_MULT}}$	CLK ADREG to CARRYCASCOUT output using multiplier	2.96	3.38	4.02	ns
Clock to Outs from Input Register Clock to Output Pins					
$T_{\text{DSPCKO_P_AREG_MULT}}$	CLK AREG to P output using multiplier	3.94	4.51	5.37	ns
$T_{\text{DSPCKO_P_BREG}}$	CLK BREG to P output not using multiplier	1.64	1.87	2.22	ns
$T_{\text{DSPCKO_P_CREG}}$	CLK CREG to P output not using multiplier	1.69	1.93	2.30	ns
$T_{\text{DSPCKO_P_DREG_MULT}}$	CLK DREG to P output using multiplier	3.91	4.48	5.32	ns

Table 60: DSP48E1 Switching Characteristics (Cont'd)

Symbol	Description	Speed Grade			Units
		-3	-2	-1	
Clock to Outs from Input Register Clock to Cascading Output Pins					
$T_{\text{DSPCKO}_{\{\text{ACOUT}; \text{BCOUT}\}_{\{\text{AREG}; \text{BREG}\}}}}$	CLK (ACOUT, BCOUT) to {A,B} register output	0.64	0.73	0.87	ns
$T_{\text{DSPCKO}_{\text{CARRYCASCOUT}_{\{\text{AREG}, \text{BREG}\}}}_{\text{MULT}}}}$	CLK (AREG, BREG) to CARRYCASCOUT output using multiplier	4.19	4.79	5.70	ns
$T_{\text{DSPCKO}_{\text{CARRYCASCOUT}_{\text{BREG}}}}$	CLK BREG to CARRYCASCOUT output not using multiplier	1.88	2.15	2.55	ns
$T_{\text{DSPCKO}_{\text{CARRYCASCOUT}_{\text{DREG}_{\text{MULT}}}}}$	CLK DREG to CARRYCASCOUT output using multiplier	4.16	4.76	5.65	ns
$T_{\text{DSPCKO}_{\text{CARRYCASCOUT}_{\text{CREG}}}}$	CLK CREG to CARRYCASCOUT output	1.94	2.21	2.63	ns
Maximum Frequency					
F_{MAX}	With all registers used	628.93	550.66	464.25	MHz
$F_{\text{MAX}_{\text{PATDET}}}$	With pattern detector	531.63	465.77	392.93	MHz
$F_{\text{MAX}_{\text{MULT}_{\text{NOMREG}}}}$	Two register multiply without MREG	349.28	305.62	257.47	MHz
$F_{\text{MAX}_{\text{MULT}_{\text{NOMREG}_{\text{PATDET}}}}}$	Two register multiply without MREG with pattern detect	317.26	277.62	233.92	MHz
$F_{\text{MAX}_{\text{PREADD}_{\text{MULT}_{\text{NOADREG}}}}}$	Without ADREG	397.30	346.26	290.44	MHz
$F_{\text{MAX}_{\text{PREADD}_{\text{MULT}_{\text{NOADREG}_{\text{PATDET}}}}}}$	Without ADREG with pattern detect	397.30	346.26	290.44	MHz
$F_{\text{MAX}_{\text{NOPIPELINEREG}}}$	Without pipeline registers (MREG, ADREG)	260.01	227.01	190.69	MHz
$F_{\text{MAX}_{\text{NOPIPELINEREG}_{\text{PATDET}}}}$	Without pipeline registers (MREG, ADREG) with pattern detect	241.72	211.15	177.43	MHz

Clock Buffers and Networks

Table 61: Global Clock Switching Characteristics (Including BUFGCTRL)

Symbol	Description	Speed Grade			Units
		-3	-2	-1	
$T_{BCCCK_CE}/T_{BCCCK_CE}^{(1)}$	CE pins setup/hold	0.13/0.39	0.14/0.41	0.18/0.42	ns
$T_{BCCCK_S}/T_{BCCCK_S}^{(1)}$	S pins setup/hold	0.13/0.39	0.14/0.41	0.18/0.42	ns
$T_{BCCCKO_O}^{(2)}$	BUFGCTRL delay from I0/I1 to O	0.08	0.09	0.11	ns
Maximum Frequency					
F_{MAX_BUFG}	Global clock tree (BUFG)	628.00	628.00	464.00	MHz

Notes:

- T_{BCCCK_CE} and T_{BCCCK_S} must be satisfied to assure glitch-free operation of the global clock when switching between clocks. These parameters do not apply to the BUFGMUX primitive that assures glitch-free operation. The other global clock setup and hold times are optional; only needing to be satisfied if device operation requires simulation matches on a cycle-for-cycle basis when switching between clocks.
- T_{BCCCKO_O} (BUFG delay from I0 to O) values are the same as T_{BCCCKO_O} values.

Table 62: Input/Output Clock Switching Characteristics (BUFIO)

Symbol	Description	Speed Grade			Units
		-3	-2	-1	
T_{BIOCKO_O}	Clock to out delay from I to O	1.16	1.32	1.61	ns
Maximum Frequency					
F_{MAX_BUFIO}	I/O clock tree (BUFIO)	680.00	680.00	600.00	MHz

Table 63: Regional Clock Buffer Switching Characteristics (BUFR)

Symbol	Description	Speed Grade			Units
		-3	-2	-1	
T_{BRCKO_O}	Clock to out delay from I to O	0.64	0.80	1.04	ns
$T_{BRCKO_O_BYP}$	Clock to out delay from I to O with Divide Bypass attribute set	0.35	0.41	0.54	ns
T_{BRDO_O}	Propagation delay from CLR to O	0.85	0.89	1.14	ns
Maximum Frequency					
$F_{MAX_BUFR}^{(1)}$	Regional clock tree (BUFR)	420.00	375.00	315.00	MHz

Notes:

- The maximum input frequency to the BUFR and BUFMR is the BUFIO F_{MAX} frequency.

Table 64: Horizontal Clock Buffer Switching Characteristics (BUFH)

Symbol	Description	Speed Grade			Units
		-3	-2	-1	
T_{BHCKO_O}	BUFH delay from I to O	0.11	0.11	0.14	ns
$T_{BHCKCK_CE}/T_{BHCKCK_CE}$	CE pin setup and hold	0.20/0.13	0.23/0.16	0.29/0.21	ns
Maximum Frequency					
F_{MAX_BUFH}	Horizontal clock buffer (BUFH)	628.00	628.00	464.00	MHz

Table 65: Duty-Cycle Distortion and Clock-Tree Skew

Symbol	Description	Device	Speed Grade			Units
			-3	-2	-1	
T _{DCD_CLK}	Global clock tree duty-cycle distortion ⁽¹⁾	All	0.20	0.20	0.20	ns
T _{CKSKEW}	Global clock tree skew ⁽²⁾	XC7Z010	0.27	0.27	0.27	ns
		XC7Z020	0.33	0.38	0.42	ns
T _{DCD_BUFIO}	I/O clock tree duty-cycle distortion	All	0.14	0.14	0.14	ns
T _{BUFIOSKEW}	I/O clock tree skew across one clock region	All	0.03	0.03	0.03	ns
T _{DCD_BUFR}	Regional clock tree duty-cycle distortion	All	0.18	0.18	0.18	ns

Notes:

1. These parameters represent the worst-case duty-cycle distortion observable at the pins of the device using LVDS output buffers. For cases where other I/O standards are used, IBIS can be used to calculate any additional duty-cycle distortion that might be caused by asymmetrical rise/fall times.
2. The T_{CKSKEW} value represents the worst-case clock-tree skew observable between sequential I/O elements. Significantly less clock-tree skew exists for I/O registers that are close to each other and fed by the same or adjacent clock-tree branches. Use the Xilinx Timing Analyzer tools to evaluate application specific clock skew.

MMCM Switching Characteristics

Table 66: MMCM Specification

Symbol	Description	Speed Grade			Units
		-3	-2	-1	
MMCM_F _{INMAX}	Maximum input clock frequency	800.00	800.00	800.00	MHz
MMCM_F _{INMIN}	Minimum input clock frequency	10.00	10.00	10.00	MHz
MMCM_F _{INJITTER}	Maximum input clock period jitter	< 20% of clock input period or 1 ns Max			
MMCM_F _{INDUTY}	Allowable input duty cycle: 10—49 MHz	25	25	25	%
	Allowable input duty cycle: 50—199 MHz	30	30	30	%
	Allowable input duty cycle: 200—399 MHz	35	35	35	%
	Allowable input duty cycle: 400—499 MHz	40	40	40	%
	Allowable input duty cycle: >500 MHz	45	45	45	%
MMCM_F _{MIN_PSCLK}	Minimum dynamic phase-shift clock frequency	0.01	0.01	0.01	MHz
MMCM_F _{MAX_PSCLK}	Maximum dynamic phase-shift clock frequency	550.00	500.00	450.00	MHz
MMCM_F _{VCOMIN}	Minimum MMCM VCO frequency	600.00	600.00	600.00	MHz
MMCM_F _{VCOMAX}	Maximum MMCM VCO frequency	1600.00	1440.00	1200.00	MHz
MMCM_F _{BANDWIDTH}	Low MMCM bandwidth at typical ⁽¹⁾	1.00	1.00	1.00	MHz
	High MMCM bandwidth at typical ⁽¹⁾	4.00	4.00	4.00	MHz
MMCM_T _{STATPHAOFFSET}	Static phase offset of the MMCM outputs ⁽²⁾	0.12	0.12	0.12	ns
MMCM_T _{OUTJITTER}	MMCM output jitter	Note 3			
MMCM_T _{OUTDUTY}	MMCM output clock duty-cycle precision ⁽⁴⁾	0.20	0.20	0.20	ns
MMCM_T _{LOCKMAX}	MMCM maximum lock time	100.00	100.00	100.00	μs
MMCM_F _{OUTMAX}	MMCM maximum output frequency	800.00	800.00	800.00	MHz
MMCM_F _{OUTMIN}	MMCM minimum output frequency ⁽⁵⁾⁽⁶⁾	4.69	4.69	4.69	MHz
MMCM_T _{EXTFDVAR}	External clock feedback variation	< 20% of clock input period or 1 ns Max			
MMCM_RST _{MINPULSE}	Minimum reset pulse width	5.00	5.00	5.00	ns
MMCM_F _{PFDMAX}	Maximum frequency at the phase frequency detector	550.00	500.00	450.00	MHz
MMCM_F _{PFDMIN}	Minimum frequency at the phase frequency detector	10.00	10.00	10.00	MHz

Table 66: MMCM Specification (Cont'd)

Symbol	Description	Speed Grade			Units
		-3	-2	-1	
MMCM_T _{FBDELAY}	Maximum delay in the feedback path	3 ns Max or one CLKIN cycle			
MMCM Switching Characteristics Setup and Hold					
T _{MMCMDCK_PSEN} / T _{MMCMCKD_PSEN}	Setup and hold of phase-shift enable	1.04/0.00	1.04/0.00	1.04/0.00	ns
T _{MMCMDCK_PSINCDEC} / T _{MMCMCKD_PSINCDEC}	Setup and hold of phase-shift increment/decrement	1.04/0.00	1.04/0.00	1.04/0.00	ns
T _{MMCMCKO_PSDONE}	Phase shift clock-to-out of PSDONE	0.59	0.68	0.81	ns
Dynamic Reconfiguration Port (DRP) for MMCM Before and After DCLK					
T _{MMCMDCK_DADDR} / T _{MMCMCKD_DADDR}	DADDR setup/hold	1.25/0.15	1.40/0.15	1.63/0.15	ns, Min
T _{MMCMDCK_DI} / T _{MMCMCKD_DI}	DI setup/hold	1.25/0.15	1.40/0.15	1.63/0.15	ns, Min
T _{MMCMDCK_DEN} / T _{MMCMCKD_DEN}	DEN setup/hold	1.76/0.00	1.97/0.00	2.29/0.00	ns, Min
T _{MMCMDCK_DWE} / T _{MMCMCKD_DWE}	DWE setup/hold	1.25/0.15	1.40/0.15	1.63/0.15	ns, Min
T _{MMCMCKO_DRDY}	CLK to out of DRDY	0.65	0.72	0.99	ns, Max
F _{DCK}	DCLK frequency	200.00	200.00	200.00	MHz, Max

Notes:

1. The MMCM does not filter typical spread-spectrum input clocks because they are usually far below the bandwidth filter frequencies.
2. The static offset is measured between any MMCM outputs with identical phase.
3. Values for this parameter are available in the Clocking Wizard.
See http://www.xilinx.com/products/intellectual-property/clocking_wizard.htm.
4. Includes global clock buffer.
5. Calculated as F_{VCO}/128 assuming output duty cycle is 50%.
6. When CLKOUT4_CASCADE = TRUE, MMCM_F_{OUTMIN} is 0.036 MHz.

PLL Switching Characteristics

Table 67: PLL Specification

Symbol	Description	Speed Grade			Units
		-3	-2	-1	
PLL_F _{INMAX}	Maximum input clock frequency	800.00	800.00	800.00	MHz
PLL_F _{INMIN}	Minimum input clock frequency	19.00	19.00	19.00	MHz
PLL_F _{INJITTER}	Maximum input clock period jitter	< 20% of clock input period or 1 ns Max			
PLL_F _{INDUTY}	Allowable input duty cycle: 19—49 MHz	25	25	25	%
	Allowable input duty cycle: 50—199 MHz	30	30	30	%
	Allowable input duty cycle: 200—399 MHz	35	35	35	%
	Allowable input duty cycle: 400—499 MHz	40	40	40	%
	Allowable input duty cycle: >500 MHz	45	45	45	%
PLL_F _{VCOMIN}	Minimum PLL VCO frequency	800.00	800.00	800.00	MHz
PLL_F _{VCOMAX}	Maximum PLL VCO frequency	2133.00	1866.00	1600.00	MHz
PLL_F _{BANDWIDTH}	Low PLL bandwidth at typical ⁽¹⁾	1.00	1.00	1.00	MHz
	High PLL bandwidth at typical ⁽¹⁾	4.00	4.00	4.00	MHz
PLL_T _{STATPHAOFFSET}	Static phase offset of the PLL outputs ⁽²⁾	0.12	0.12	0.12	ns
PLL_T _{OUTJITTER}	PLL output jitter	Note 3			
PLL_T _{OUTDUTY}	PLL output clock duty-cycle precision ⁽⁴⁾	0.20	0.20	0.20	ns
PLL_T _{LOCKMAX}	PLL maximum lock time	100.00	100.00	100.00	μs
PLL_F _{OUTMAX}	PLL maximum output frequency	800.00	800.00	800.00	MHz
PLL_F _{OUTMIN}	PLL minimum output frequency ⁽⁵⁾	6.25	6.25	6.25	MHz
PLL_T _{EXTFDVAR}	External clock feedback variation	< 20% of clock input period or 1 ns Max			
PLL_RST _{MINPULSE}	Minimum reset pulse width	5.00	5.00	5.00	ns
PLL_F _{PFDMAX}	Maximum frequency at the phase frequency detector	550.00	500.00	450.00	MHz
PLL_F _{PFDMIN}	Minimum frequency at the phase frequency detector	19.00	19.00	19.00	MHz
PLL_T _{FBDELAY}	Maximum delay in the feedback path	3 ns Max or one CLKIN cycle			
Dynamic Reconfiguration Port (DRP) for PLL Before and After DCLK					
T _{PLLCK_DADDR} /T _{PLLCKC_DADDR}	Setup and hold of D address	1.25/0.15	1.40/0.15	1.63/0.15	ns, Min
T _{PLLCK_DI} /T _{PLLCKC_DI}	Setup and hold of D input	1.25/0.15	1.40/0.15	1.63/0.15	ns, Min
T _{PLLCK_DEN} /T _{PLLCKC_DEN}	Setup and hold of D enable	1.76/0.00	1.97/0.00	2.29/0.00	ns, Min
T _{PLLCK_DWE} /T _{PLLCKC_DWE}	Setup and hold of D write enable	1.25/0.15	1.40/0.15	1.63/0.15	ns, Min
T _{PLLCKO_DRDY}	CLK to out of DRDY	0.65	0.72	0.99	ns, Max
F _{DCK}	DCLK frequency	200.00	200.00	200.00	MHz, Max

Notes:

1. The PLL does not filter typical spread-spectrum input clocks because they are usually far below the bandwidth filter frequencies.
2. The static offset is measured between any PLL outputs with identical phase.
3. Values for this parameter are available in the Clocking Wizard.
See http://www.xilinx.com/products/intellectual-property/clocking_wizard.htm.
4. Includes global clock buffer.
5. Calculated as F_{VCO}/128 assuming output duty cycle is 50%.

Device Pin-to-Pin Output Parameter Guidelines

Table 68: Clock-Capable Clock Input to Output Delay Without MMCM/PLL (Near Clock Region)

Symbol	Description	Device	Speed Grade			Units
			-3	-2	-1	
SSTL15 Clock-Capable Clock Input to Output Delay using Output Flip-Flops, Fast Slew Rate, <i>without</i> MMCM/PLL.						
T _{ICKOF}	Clock-capable clock input and OUTFF without MMCM/PLL (near clock region)	XC7Z010	5.08	5.68	6.65	ns
		XC7Z020	5.42	6.05	7.08	ns

Notes:

1. This table lists representative values where one global clock input drives one vertical clock line in each accessible column, and where all accessible IOB and CLB flip-flops are clocked by the global clock net.

Table 69: Clock-Capable Clock Input to Output Delay Without MMCM/PLL (Far Clock Region)

Symbol	Description	Device	Speed Grade			Units
			-3	-2	-1	
SSTL15 Clock-Capable Clock Input to Output Delay using Output Flip-Flops, Fast Slew Rate, <i>without</i> MMCM/PLL.						
T _{ICKOFFAR}	Clock-capable clock input and OUTFF <i>without</i> MMCM/PLL (far clock region)	XC7Z010	5.08	5.68	6.65	ns
		XC7Z020	5.69	6.34	7.40	ns

Notes:

1. This table lists representative values where one global clock input drives one vertical clock line in each accessible column, and where all accessible IOB and CLB flip-flops are clocked by the global clock net.

Table 70: Clock-Capable Clock Input to Output Delay With MMCM

Symbol	Description	Device	Speed Grade			Units
			-3	-2	-1	
SSTL15 Clock-Capable Clock Input to Output Delay using Output Flip-Flops, Fast Slew Rate, <i>with</i> MMCM.						
T _{ICKOFMMCMCC}	Clock-capable clock input and OUTFF <i>with</i> MMCM	XC7Z010	1.04	1.03	1.03	ns
		XC7Z020	1.05	1.04	1.05	ns

Notes:

1. This table lists representative values where one global clock input drives one vertical clock line in each accessible column, and where all accessible IOB and CLB flip-flops are clocked by the global clock net.
2. MMCM output jitter is already included in the timing calculation.

Table 71: Clock-Capable Clock Input to Output Delay With PLL

Symbol	Description	Device	Speed Grade			Units
			-3	-2	-1	
SSTL15 Clock-Capable Clock Input to Output Delay using Output Flip-Flops, Fast Slew Rate, <i>with</i> PLL.						
T _{ICKOFPLLCC}	Clock-capable clock input and OUTFF <i>with</i> PLL	XC7Z010	0.82	0.82	0.82	ns
		XC7Z020	0.82	0.82	0.82	ns

Notes:

1. This table lists representative values where one global clock input drives one vertical clock line in each accessible column, and where all accessible IOB and CLB flip-flops are clocked by the global clock net.
2. PLL output jitter is already included in the timing calculation.

Table 72: Pin-to-Pin, Clock-to-Out using BUFIO

Symbol	Description	Speed Grade			Units
		-3	-2	-1	
SSTL15 Clock-Capable Clock Input to Output Delay using Output Flip-Flop, Fast Slew Rate, with BUFIO.					
T _{ICKOFC}	Clock to out of I/O clock	4.93	5.52	6.20	ns

Device Pin-to-Pin Input Parameter Guidelines

Table 73: Global Clock Input Setup and Hold Without MMCM/PLL with ZHOLD_DELAY on HR I/O Banks

Symbol	Description	Device	Speed Grade			Units
			-3	-2	-1	
Input Setup and Hold Time Relative to Global Clock Input Signal for SSTL15 Standard. ⁽¹⁾						
T _{PSFD} /T _{PHFD}	Full delay (legacy delay or default delay) global clock input and IFF ⁽²⁾ without MMCM/PLL with ZHOLD_DELAY on HR I/O banks	XC7Z010	2.00/-0.17	2.13/-0.17	2.44/-0.17	ns
		XC7Z020	2.55/-0.25	2.74/-0.25	3.18/-0.25	ns

Notes:

- Setup and hold times are measured over worst case conditions (process, voltage, temperature). Setup time is measured relative to the global clock input signal using the slowest process, highest temperature, and lowest voltage. Hold time is measured relative to the global clock input signal using the fastest process, lowest temperature, and highest voltage.
- IFF = Input flip-flop or latch
- A zero "0" hold time listing indicates no hold time or a negative hold time.

Table 74: Clock-Capable Clock Input Setup and Hold With MMCM

Symbol	Description	Device	Speed Grade			Units
			-3	-2	-1	
Input Setup and Hold Time Relative to Global Clock Input Signal for SSTL15 Standard. ⁽¹⁾						
T _{PSMMCMCC} / T _{PHMMCMCC}	No delay clock-capable clock input and IFF ⁽²⁾ with MMCM	XC7Z010	2.36/-0.62	2.68/-0.62	3.22/-0.62	ns
		XC7Z020	2.48/-0.62	2.82/-0.62	3.38/-0.62	ns

Notes:

- Setup and hold times are measured over worst case conditions (process, voltage, temperature). Setup time is measured relative to the global clock input signal using the slowest process, highest temperature, and lowest voltage. Hold time is measured relative to the global clock input signal using the fastest process, lowest temperature, and highest voltage.
- IFF = Input flip-flop or latch
- Use IBIS to determine any duty-cycle distortion incurred using various standards.

Table 75: Clock-Capable Clock Input Setup and Hold With PLL

Symbol	Description	Device	Speed Grade			Units
			-3	-2	-1	
Input Setup and Hold Time Relative to Clock-Capable Clock Input Signal for SSTL15 Standard. ⁽¹⁾						
T _{PSPLLCC} / T _{PHPLLCC}	No delay clock-capable clock input and IFF ⁽²⁾ with PLL	XC7Z010	2.67/-0.19	3.03/-0.19	3.64/-0.19	ns
		XC7Z020	2.79/-0.20	3.17/-0.20	3.80/-0.20	ns

Notes:

- Setup and hold times are measured over worst case conditions (process, voltage, temperature). Setup time is measured relative to the global clock input signal using the slowest process, highest temperature, and lowest voltage. Hold time is measured relative to the global clock input signal using the fastest process, lowest temperature, and highest voltage.
- IFF = Input flip-flop or latch
- Use IBIS to determine any duty-cycle distortion incurred using various standards.

Table 76: Data Input Setup and Hold Times Relative to a Forwarded Clock Input Pin Using BUFIO

Symbol	Description	Speed Grade			Units
		-3	-2	-1	
Input Setup and Hold Time Relative to a Forwarded Clock Input Pin Using BUFIO for SSTL15 Standard.					
T_{PSCS}/T_{PHCS}	Setup and hold of I/O clock	-0.36/1.36	-0.36/1.50	-0.36/1.70	ns

Table 77: Sample Window

Symbol	Description	Speed Grade			Units
		-3	-2	-1	
T_{SAMP}	Sampling error at receiver pins ⁽¹⁾	0.59	0.64	0.70	ns
T_{SAMP_BUFIO}	Sampling error at receiver pins using BUFIO ⁽²⁾	0.35	0.40	0.46	ns

Notes:

- This parameter indicates the total sampling error of the PL DDR input registers, measured across voltage, temperature, and process. The characterization methodology uses the MMCM to capture the DDR input registers' edges of operation. These measurements include:
 - CLK0 MMCM jitter
 - MMCM accuracy (phase offset)
 - MMCM phase shift resolution
 These measurements do not include package or clock tree skew.
- This parameter indicates the total sampling error of the PL DDR input registers, measured across voltage, temperature, and process. The characterization methodology uses the BUFIO clock network and IDELAY to capture the DDR input registers' edges of operation. These measurements do not include package or clock tree skew.

Additional Package Parameter Guidelines

The parameters in this section provide the necessary values for calculating timing budgets for PL clock transmitter and receiver data-valid windows.

Table 78: Package Skew

Symbol	Description	Device	Package	Value	Units
$T_{PKGSKEW}$	Package skew ⁽¹⁾	XC7Z010	CLG225	101	ps
			CLG400	155	ps
		XC7Z020	CLG400	166	ps
			CLG484	248	ps

Notes:

- These values represent the worst-case skew between any two SelectIO resources in the package: shortest delay to longest delay from die pad to ball.
- Package delay information is available for these device/package combinations. This information can be used to deskew the package.

XADC Specifications

Table 79: XADC Specifications

Parameter	Symbol	Comments/Conditions	Min	Typ	Max	Units
$V_{CCADC} = 1.8V \pm 5\%$, $V_{REFP} = 1.25V$, $V_{REFN} = 0V$, $ADCCLK = 26\text{ MHz}$, $T_j = -40^\circ\text{C}$ to 100°C , Typical values at $T_j = +40^\circ\text{C}$						
ADC Accuracy⁽¹⁾						
Resolution			12	–	–	Bits
Integral Nonlinearity ⁽²⁾	INL		–	–	± 2	LSBs
Differential Nonlinearity	DNL	No missing codes, guaranteed monotonic	–	–	± 1	LSBs
Offset Error		Unipolar operation	–	–	± 8	LSBs
		Bipolar operation	–	–	± 4	LSBs
Gain Error			–	–	± 0.5	%
Offset Matching			–	–	4	LSBs
Gain Matching			–	–	0.3	%
Sample Rate			0.1	–	1	MS/s
Signal to Noise Ratio ⁽²⁾	SNR	$F_{SAMPLE} = 500\text{KS/s}$, $F_{IN} = 20\text{KHz}$	60	–	–	dB
RMS Code Noise		External 1.25V reference	–	–	2	LSBs
		On-chip reference	–	3	–	LSBs
Total Harmonic Distortion ⁽²⁾	THD	$F_{SAMPLE} = 500\text{KS/s}$, $F_{IN} = 20\text{KHz}$	70	–	–	dB
ADC Accuracy at Extended Temperatures (-55°C to 125°C)						
Resolution			10	–	–	Bits
Integral Nonlinearity ⁽²⁾	INL		–	–	± 1	LSB (at 10 bits)
Differential Nonlinearity	DNL	No missing codes, guaranteed monotonic	–	–	± 1	
Analog Inputs⁽³⁾						
ADC Input Ranges		Unipolar operation	0	–	1	V
		Bipolar operation	-0.5	–	+0.5	V
		Unipolar common mode range (FS input)	0	–	+0.5	V
		Bipolar common mode range (FS input)	+0.5	–	+0.6	V
Maximum External Channel Input Ranges		Adjacent analog channels set within these ranges should not corrupt measurements on adjacent channels	-0.1	–	V_{CCADC}	V
Auxiliary Channel Full Resolution Bandwidth	FRBW		250	–	–	KHz
On-Chip Sensors						
Temperature Sensor Error		$T_j = -40^\circ\text{C}$ to 100°C .	–	–	± 4	$^\circ\text{C}$
		$T_j = -55^\circ\text{C}$ to $+125^\circ\text{C}$	–	–	± 6	$^\circ\text{C}$
Supply Sensor Error		Measurement range of V_{CCAUX} $1.8V \pm 5\%$ $T_j = -40^\circ\text{C}$ to $+100^\circ\text{C}$	–	–	± 1	%
		Measurement range of V_{CCAUX} $1.8V \pm 5\%$ $T_j = -55^\circ\text{C}$ to $+125^\circ\text{C}$	–	–	± 2	%
Conversion Rate⁽⁴⁾						
Conversion Time - Continuous	t_{CONV}	Number of ADCCLK cycles	26	–	32	Cycles
Conversion Time - Event	t_{CONV}	Number of CLK cycles	–	–	21	Cycles
DRP Clock Frequency	DCLK	DRP clock frequency	8	–	250	MHz
ADC Clock Frequency	ADCCLK	Derived from DCLK	1	–	26	MHz

Table 79: XADC Specifications (Cont'd)

Parameter	Symbol	Comments/Conditions	Min	Typ	Max	Units
DCLK Duty Cycle			40	–	60	%
XADC Reference⁽⁵⁾						
External Reference	V_{REFP}	Externally supplied reference voltage	1.20	1.25	1.30	V
On-Chip Reference		Ground V_{REFP} pin to AGND, $T_j = -40^{\circ}\text{C}$ to 100°C	1.2375	1.25	1.2625	V

Notes:

- Offset and gain errors are removed by enabling the XADC automatic gain calibration feature. The values are specified for when this feature is enabled.
- Only specified for BitGen option XADCEnhancedLinearity = ON.
- See the ADC chapter in [UG480: 7 Series FPGAs XADC User Guide](#) for a detailed description.
- See the Timing chapter in [UG480: 7 Series FPGAs XADC User Guide](#) for a detailed description.
- Any variation in the reference voltage from the nominal $V_{REFP} = 1.25\text{V}$ and $V_{REFN} = 0\text{V}$ will result in a deviation from the ideal transfer function. This also impacts the accuracy of the internal sensor measurements (i.e., temperature and power supply). However, for external ratiometric type applications allowing reference to vary by $\pm 4\%$ is permitted. On-chip reference variation is $\pm 1\%$.

Configuration Switching Characteristics

Table 80: Configuration Switching Characteristics

Symbol	Description	Speed Grade			Units
		-3	-2	-1	
Power-up Timing Characteristics					
T_{POR}	Power-on reset	50.00	50.00	50.00	ms, Max
Boundary-Scan Port Timing Specifications					
T_{TAPTCK}/T_{TCKTAP}	TMS and TDI setup/hold	3.00/2.00	3.00/2.00	3.00/2.00	ns, Min
T_{TCKTDO}	TCK falling edge to TDO output	7.00	7.00	7.00	ns, Max
F_{TCK}	TCK frequency	66.00	66.00	66.00	MHz, Max
Internal Configuration Access Port					
F_{ICAPCK}	Internal configuration access port (ICAPE2)	100.00	100.00	100.00	MHz, Max

eFUSE Programming Conditions

[Table 81](#) lists the programming conditions specifically for eFUSE. For more information, see [UG470: 7 Series FPGA Configuration User Guide](#).

Table 81: eFUSE Programming Conditions⁽¹⁾

Symbol	Description	Min	Typ	Max	Units
I_{FS}	V_{CCAUX} supply current	–	–	115	mA
t_j	Temperature range	15	–	125	$^{\circ}\text{C}$

Notes:

- The Zynq-7000 device must not be configured during eFUSE programming.

Revision History

The following table shows the revision history for this document:

Date	Version	Description of Revisions
05/07/12	1.0	Initial Xilinx release.
06/27/12	1.1	<p>Updated the descriptions, changed V_{IN}, Note 3, Note 4, and added V_{PREF}, V_{PIN}, and Note 5 in Table 1. In Table 2, updated descriptions and notes. Updated Table 3 and added R_{IN_TERM}. Removed I_{CCMIOQ} from Table 5. Removed I_{CCMIOQ} and updated XC7Z020 in Table 6. Updated LVCMOS12, SSTL135, and SSTL15 in Table 10. Updated Table 17.</p> <p>In PS Performance Characteristics section, added timing diagrams and revised many tables. Updated Table 46 and removed notes 2 and 3. Added Note 2 and Note 3 to Table 47. Changed Table 49 by adding $T_{IOIBUFDISABLE}$. Removed many of the combinatorial delay specifications and T_{CINCK}/T_{CKCIN} from Table 56.</p> <p>In Table 79 updated Offset Error and Matching descriptions and Gain Error and Matching descriptions, and added Note 2 to Integral Nonlinearity.</p>
09/12/12	1.2	<p>Changed Note 3 and added Note 6 in Table 1. Updated T_j in Table 2, also revised Note 4 and Note 7. Updated specifications including R_{IN_TERM} in Table 3. Added Table 4. Updated the XC7Z020 specifications in Table 6. Updated standards in Table 8. Updated specifications in Table 12.</p> <p>Updated the AC Switching Characteristics section for the ISE 14.2 speed specifications throughout the document.</p> <p>In PS Performance Characteristics section introduction, revised tables, updated Figure 4, and added Figure 5. Updated parameters in Figure 5 through Figure 13. Updated values in Table 16. Added Note 2 to Table 23. Added Note 3 to Table 32. Updated descriptions and revised $F_{MSPICLK}$ in Table 36. Updated Note 3 in Table 47. Changed F_{PFDMAX} conditions in Table 66 and Table 67. Updated devices and added values to Table 78.</p>
02/11/13	1.3	<p>Updated the AC Switching Characteristics based upon ISE 14.4 and Vivado 2012.4, both at v1.05 for the -3, -2, and -1 speed specifications throughout the document. Updated Table 14 and Table 15 to the product status of production for the XC7Z020 devices with -2 and -1 speed specifications.</p> <p>Updated description in Introduction. Revised V_{PIN} in Table 1. Revised V_{PIN} and I_{IN} and added Note 2 to Table 2. Clarified PS specifications, added C_{PIN}, and removed Note 3 on I_{RPD} in Table 3. Added values to Table 5. Updated Power Supply Requirements section. Revised descriptions in Table 7. Revised Note 1, removed LVTTTL, notes 2 and 3, and added SSTL135 to Table 8. Added Table 9. Removed HSTL_I_12 and SSTL_12 from Table 10. Removed DIFF_SSTL12 from Table 12. Revise in V_{CCO} min/max in Table 13.</p> <p>Many changes to the PS Switching Characteristics section including adding tables, figures, notes with test conditions where applicable. In Table 16, updated the 6:2:1 clock ratio frequencies. Updated minimum value for $T_{ULPIDCK}$ in Table 31. Added a 2:1 memory controller section to Table 47.</p> <p>Updated Note 1 in Table 63. Updated Note 1 and Note 2 in Table 78. Updated the rows on offset error and matching and gain error and matching and the maximum external channel input ranges in Table 79. Added Internal Configuration Access Port section to Table 80.</p>

Notice of Disclaimer

The information disclosed to you hereunder (the “Materials”) is provided solely for the selection and use of Xilinx products. To the maximum extent permitted by applicable law: (1) Materials are made available “AS IS” and with all faults, Xilinx hereby DISCLAIMS ALL WARRANTIES AND CONDITIONS, EXPRESS, IMPLIED, OR STATUTORY, INCLUDING BUT NOT LIMITED TO WARRANTIES OF MERCHANTABILITY, NON-INFRINGEMENT, OR FITNESS FOR ANY PARTICULAR PURPOSE; and (2) Xilinx shall not be liable (whether in contract or tort, including negligence, or under any other theory of liability) for any loss or damage of any kind or nature related to, arising under, or in connection with, the Materials (including your use of the Materials), including for any direct, indirect, special, incidental, or consequential loss or damage (including loss of data, profits, goodwill, or any type of loss or damage suffered as a result of any action brought by a third party) even if such damage or loss was reasonably foreseeable or Xilinx had been advised of the possibility of the same. Xilinx assumes no obligation to correct any errors contained in the Materials or to notify you of updates to the Materials or to product specifications. You may not reproduce, modify, distribute, or publicly display the Materials without prior written consent. Certain products are subject to the terms and conditions of the Limited Warranties which can be viewed at <http://www.xilinx.com/warranty.htm>; IP cores may be subject to warranty and support terms contained in a license issued to you by Xilinx. Xilinx products are not designed or intended to be fail-safe or for use in any application requiring fail-safe performance; you assume sole risk and liability for use of Xilinx products in Critical Applications: <http://www.xilinx.com/warranty.htm#critapps>.

AUTOMOTIVE APPLICATIONS DISCLAIMER

XILINX PRODUCTS ARE NOT DESIGNED OR INTENDED TO BE FAIL-SAFE, OR FOR USE IN ANY APPLICATION REQUIRING FAIL-SAFE PERFORMANCE, SUCH AS APPLICATIONS RELATED TO: (I) THE DEPLOYMENT OF AIRBAGS, (II) CONTROL OF A VEHICLE, UNLESS THERE IS A FAIL-SAFE OR REDUNDANCY FEATURE (WHICH DOES NOT INCLUDE USE OF SOFTWARE IN THE XILINX DEVICE TO IMPLEMENT THE REDUNDANCY) AND A WARNING SIGNAL UPON FAILURE TO THE OPERATOR, OR (III) USES THAT COULD LEAD TO DEATH OR PERSONAL INJURY. CUSTOMER ASSUMES THE SOLE RISK AND LIABILITY OF ANY USE OF XILINX PRODUCTS IN SUCH APPLICATIONS.